



EN	USER AND MAINTENANCE MANUAL LARDER COLUMN	3
IT	MANUALE D'USO E MANUTENZIONE COLONNA FRIGORIFERO	25
NL	GEBRUIKS- EN ONDERHOUDSHANDLEIDING KOLOMKOELKAST	51
SV	BRUKS- OCH UNDERHÅLLSHANDBOK KYLSKÅP	75

FROM THE DESK OF OUR PRESIDENT

Dear new owner of a Bertazzoni appliance,

I want to thank you for choosing one of our beautiful products for your home.

My family started manufacturing kitchen appliances in Italy in 1882, building a reputation for quality of engineering and passion for good food.

Today, our products stand out because of their unique blend of authentic Italian design and superior appliance technology. It is our mission to make products that function perfectly and bring joy to their owners.

By making beautiful products we respond to our customers' flair for good design. By making them versatile and easy-to-use, cooking with Bertazzoni becomes a real pleasure.

This manual will help you learn to use and care for your Bertazzoni appliance in the safest and most effective way, so that it can give you the highest satisfaction for years to come.

Enjoy!

Paolo Bertazzoni

President

A handwritten signature in black ink that reads "Paolo Bertazzoni". The signature is written in a cursive, flowing style with a vertical line extending upwards from the start of the name.

VALIDITY OF USER MANUAL

This user manual is valid for the following product codes:

- RLD60S5FPNS
- RLD75S5FPNS

CONTENTS

GENERAL INFORMATION	7
MANUAL INFORMATION	7
SAFETY INFORMATION	7
AVOIDING PLACING CHILDREN AND VULNERABLE PEOPLE AT RISK	7
RISK OF ELECTRIC SHOCK	8
RISK OF EXPLOSION	8
RISK OF INJURY	8
RISK OF SUFFOCATION	8
RISK OF FOOD POISONING	8
FIRE HAZARD / ISOBUTANE WARNING	9
CARING FOR THE ENVIRONMENT	9
SAVING ENERGY	10
SPECIFICATIONS	11
APPLIANCE DESCRIPTION	11
TECHNICAL SPECIFICATIONS	11
USER AND MAINTENANCE MANUAL	12
USE	12
GETTING STARTED	12
INTERNAL LAYOUT (POSITIONING, ADJUSTING AND REMOVING COMPONENTS)	12
REPLACING THE WATER FILTER	14
LIGHTING	15
FOOD STORAGE	15
OPERATION	17
CLEANING AND CARE	19
PREVENTING UNPLEASANT ODOURS	19
PROTECTING PLASTIC SURFACES	19
CLEANING THE INTERIOR SURFACES	19
STAINLESS STEEL EXTERIOR SURFACES	19
TROUBLESHOOTING	20
TROUBLESHOOTING GUIDE	21
WARRANTY AND SERVICE	23

GENERAL INFORMATION

MANUAL INFORMATION

These instructions are suitable for different types of appliances, so they may contain descriptions of functions which your appliance may not include or support.

The images and illustrations in this document refer to various models and may differ slightly from the product purchased.

The manufacturer does not accept any liability for personal injury or damage to property arising from incorrect installation or misuse of the appliance.

The manufacturer reserves the right to modify the various models as required to comply with the technical regulations in force.

In the event of complaints, please contact customer service. Read the instructions provided in this manual thoroughly before installing and/or using the appliance. This will help you get to know your new appliance. Keep this document at hand so that you can consult it at any moment, and pass it on to any subsequent owners.

Read the safety messages provided in the introduction to this manual and give due consideration to the safety notes, such as: "Attention", "Warning" and "Danger" which appear in the text.



DANGER

This symbol indicates a situation that is a danger to you and others. Read it carefully and make sure that you have perfectly understood the causes of potential dangerous or fatal accidents.



WARNING

This symbol indicates safety information. Read it carefully and make sure that you have perfectly understood the causes of potentially dangerous accidents.



CAUTION

This symbol indicates a procedure which could put the appliance's structure or components at risk. Take particular care over these procedures.



NOTE

This symbol highlights methods or procedures for correct use of the appliance.

The Model, Sales Code and Serial Number are printed on the nameplate. Refer to the Specifications section of this manual for nameplate location.



NOTE

You are advised to make a note of the appliance's data and serial numbers so they are immediately available if required.



NOTE

State the information provided on the nameplate to improve the efficiency of the after-sales and parts services. For warranty purposes, you will also need the date of installation and name of your authorized Bertazzoni dealer.



WARNING

When using your appliance, follow basic precautions. Read all instructions before using the appliance. Save these instructions and pass them on to any future user.

SAFETY INFORMATION

This product has been designed for domestic use. It must not be used in any way other than that which it is intended. It must be used only for storing food.

The manufacturer shall not be held liable for any damages resulting from improper use or transport.

Original spare parts will be available for 10 years following the product's purchase date.

AVOIDING PLACING CHILDREN AND VULNERABLE PEOPLE AT RISK

- This appliance is not intended for use by individuals (including children) with reduced physical or sensory capabilities or lack of experience and knowledge unless they are supervised or have been given instruction concerning the use of the appliance by a person responsible for their safety.
- Children should be supervised to ensure that they do not play with the appliance.
- Cleaning and care should not be performed by children unless they are supervised by an adult.

GENERAL INFORMATION

RISK OF ELECTRIC SHOCK

- Make sure the appliance is unplugged during installation, maintenance, cleaning, and repairs.
- When installing the appliance, ensure that the mains cable is not trapped or damaged.
- If the power cord of this appliance is damaged, it must be replaced by the manufacturer, customer service or a similarly qualified person. Improper installations and repairs may put the user at considerable risk.
- Do not use an adapter. Do not use an extension cord.
- Do not plug in the refrigerator if the wall socket is loose. Do not pull on the cable to unplug the appliance.
- Unplug the appliance if you encounter a malfunction during use. If the unit malfunctions, it must not be used until it has been repaired by an Authorized Service Provider. The manufacturer cannot be held responsible for damages arising from procedures performed by unauthorized persons.
- Never wash the appliance by pouring, daubing, or spraying water onto it. Never touch the plug with wet hands.
- Never use steam or steam cleaners to clean or defrost the refrigerator. Steam can cause a short circuit or electric shock if it comes into contact with your refrigerator's electrical components.
- Never connect your refrigerator to an energy saving device. Such systems are harmful to your appliance.

RISK OF EXPLOSION

- Do not use electrical appliances of any kind inside of the food storage compartments.
- Do not use mechanical devices or other means to accelerate the defrosting process; use only those recommended by the manufacturer.
- Do not store explosive substances, such as aerosol cans with a flammable propellant, inside this appliance.
- Bottles containing beverages with a high alcohol content must be tightly closed and stored vertically.

RISK OF INJURY

- Do not put carbonated beverages or liquids in tins or glass containers in the freezer compartment. They may burst.
- Never use refrigerator components such as the door or drawers as means of support or as steps. This may cause the appliance to tip over or damage it.
- Do not sit on the appliance and do not place heavy objects on top of the appliance.
- Do not sit or lean on the door or on any open drawers. Do not put pressure on the door or use it to move the appliance.
- Do not overload the refrigerator. Objects in the refrigerator may fall when the door is opened, causing injury or property damage.
- Do not place your hands or any other body part in the moving parts of the refrigerator (i. e., automatic ice maker).

RISK OF SUFFOCATION

- Packaging materials can be hazardous to children. Do not allow children to play with plastic bags, plastic film, or polystyrene.
- If there is a lock on the door of the appliance, the key should be kept out of reach of children.

RISK OF FOOD POISONING

- Store raw meat and fish in the refrigerator in appropriate containers so that it does not come into contact with or drip onto other foods.
- Avoid leaving the door open for long periods of time, as this can cause the temperature inside the appliance compartments to rise significantly.
- Regularly clean surfaces that may come in contact with food and accessible drainage systems.
- If the refrigerator is to be left unused for an extended period of time, turn it off, defrost, clean, dry, and leave the door open to prevent mold from growing inside the appliance.

GENERAL INFORMATION

FIRE HAZARD / ISOBUTANE WARNING



The refrigerant circuit of the appliance contains isobutane (R600a), a natural gas with a high level of environmental friendliness, but which is nevertheless flammable.

During transport and installation of the appliance, take care not to damage any of the components of the refrigerant circuit.

If the refrigerant circuit should become damaged:

- avoid naked flames and sources of ignition.
- thoroughly ventilate the room in which the appliance is located.



NOTE

If the appliance is damaged or if you see a gas leak, please keep away from the gas. It may cause ice burn if it comes into contact with the skin.



NOTE

The type of gas used in the product is listed on the rating label, which is located on the left interior wall of the refrigerator.



CAUTION

- Do not damage areas where refrigerant is circulating with drilling or cutting tools. If the gas ducts in the evaporator, the tubing extensions or the surface coatings are punctured, the refrigerant could blow out, causing skin irritation and eye injuries. Do not use pointed or sharp-edged implements to remove frost or layers of ice. You could damage the refrigerant tubes. Leaking refrigerant may cause eye injuries or ignite.
- Never attempt to extinguish a flame/fire with water: turn off the appliance and cover the flame with a fireproof blanket.
- Do not cover or allow any object to block the ventilation openings in your refrigerator.

CARING FOR THE ENVIRONMENT



This appliance complies with European directive 2012/19/EU (RoHS).

This appliance is tagged in accordance with European directive 2012/19/EC regarding waste electrical and electronic equipment (WEEE).

This directive contains the regulations governing the collection and recycling of decommissioned appliances throughout the European Union.



The symbol of a waste bin with a cross over it which appears on the product indicates that Waste Electrical and Electronic Equipment (WEEE) must not be thrown away with ordinary urban waste but must be disposed of separately, so it can undergo special processing to enable its reuse or specific treatment for safe removal and disposal of any substances harmful to the environment and extraction of raw materials which can be recycled.

Therefore, WEEE must be delivered to Recycling Centres run by Municipal Authorities or Waste Management Companies. What's more, when a new appliance is purchased WEEE can be consigned to the retailer, who is obliged to take it back free of charge ("1:1" take-back). "Very small" WEEE (with no dimension exceeding 25 cm) can be consigned to retailers free of charge even when no purchase is made ("0:1" take-back - which however is only compulsory for stores with sales area of over 400 m²).

Pay special attention to correct disposal procedures for all the packaging materials. Before disposal:

- Disconnect the mains power supply.
- Unplug the appliance and cut the power cord.
- Avoid damaging the refrigeration circuit during disposal.

The unit you have purchased conforms to the EU RoHS Directive (2011/65/EU). It does not contain materials specified in the Directive as harmful or prohibited. This appliance does not contain hazardous substances for the atmospheric ozone layer, neither in the refrigeration circuit nor in the insulation.

Our appliances are packaged in non-polluting and recyclable materials in accordance with National Environmental Regulations:

GENERAL INFORMATION

- Dispose of packaging in an environmentally friendly manner.
- Please ask your dealer to inquire at your local authority about current means of disposal.

For Ecodesign tests, the installation and set-up of the appliance must comply with standard EN 62552.

- Ventilation requirements, dimensions and minimum space from the rear wall are provided in the Installation Manual.
- Contact the manufacturer for additional information.

SAVING ENERGY

Correct use of the appliance, correct packaging of foodstuffs, a constant temperature and food hygiene all have effects on the quality of storage.



WARNING

Connecting your refrigerator to an energy saving system is dangerous, as this may damage your appliance.

- Do not leave the doors of your refrigerator open for a long time.
- Do not put hot food or drinks into your refrigerator.
- Do not overload the refrigerator. Cooling capacity will fall when air circulation in the refrigerator is obstructed.
- Do not place the refrigerator in direct sunlight. Install the product at least 30 cm (12") away from heat sources such as hobs, ovens, heater units and stoves and at least 5 cm (2") away from electric ovens. If this is not possible, suitable insulation must be used.
- Be sure to store your food in closed containers inside the refrigerator.
- You can remove the drawer shelf in the freezer compartment in order to fill the freezer compartment with the maximum amount of food. The appliance's provided energy consumption value has been determined with the freezer compartment shelf or drawer removed and with the refrigerator filled with the maximum amount of food. There is no harm in choosing to use a shelf or drawer based on the shapes and sizes of the food to be frozen.
- Thawing frozen foods in the fridge compartment both saves energy and preserves the quality of the foods.
- Clean the condenser (if it can be accessed) periodically to prevent the appliance from losing efficiency.



NOTE

The temperature in the room where your refrigerator is located should at least be 10°C (50°F). Operating your refrigerator in cooler conditions is not recommended, in terms of its efficiency.



NOTE

The inside of your refrigerator must be kept perfectly clean.



NOTE

If two refrigerators are to be installed side by side, there should be at least 4 cm (1 1/2 ") distance between them.

SPECIFICATIONS

APPLIANCE DESCRIPTION

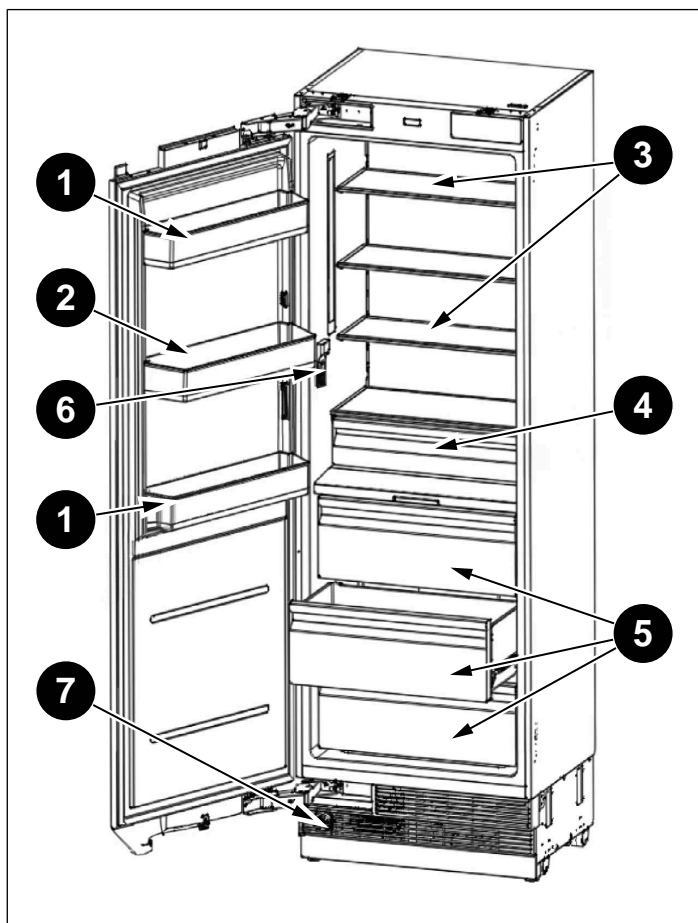


Fig. 1

- 1 Door bins
- 2 Gallon door bin
- 3 Shelving
- 4 Soft close small drawer
- 5 Soft close big drawers ("Fresco" compartment)
- 6 Water dispenser
- 7 Water filter

NOTE



The figures in this user manual are schematic and may not match the product exactly. If your product does not have the parts described, the information applies to other models.

TECHNICAL SPECIFICATIONS

ELEMENT	DESCRIPTION
Plug type	SCHUKO
Socket	220 V – 240 V
Protective conductor	50 Hz
Fuse	15 A
Water pressure (for appliances with ice maker and/or water dispenser)	Min. 0.17 Mpa (1.7 bar, 25 psi) – Max. 0.55 Mpa (5.5 bar, 80 psi)

Refrigerant, volume and further technical specifications can be found on the rating plate.

USE

GETTING STARTED

Before using the appliance, make sure that all preparations have been made according to the instructions provided in the section *SAFETY INFORMATION* in the Installation Manual.

- Clean the interior of the refrigerator as recommended in the *CLEANING AND CARE* section. Before you turn on the refrigerator, make sure that the interior is dry.
- Plug the refrigerator into a grounded socket. The interior lighting comes on when the refrigerator door is opened.
- Run the refrigerator for 6 hours before placing any food in it and do not open its door unless it is necessary.



NOTE

You will hear a noise when the compressor starts up. The liquids and gases sealed within the refrigeration system may also cause noise, even if the compressor is not running. This is quite normal.



NOTE

The front edges of the refrigerator may feel warm. This is normal. These areas are designed to be warm in order to prevent condensation.

During operation, you may hear some absolutely normal noises:

- Buzzing: The refrigerator is running. The fan of the air recirculation system is running.
- Bubbling, humming or gurgling noises: refrigerant is flowing through the pipes.
- Clicking: motor is turning on or off. Solenoid valve on water connection opening/closing.
- Rumbling: ice cubes are falling into the ice bin.

The unit is powered by two independent compressors. It is therefore normal that one of the two compressors is always running.

INTERNAL LAYOUT (POSITIONING, ADJUSTING AND REMOVING COMPONENTS)

DOOR BINS

To remove a door bin, hold it from the bottom, lift it and slide it out. Please see the figure.

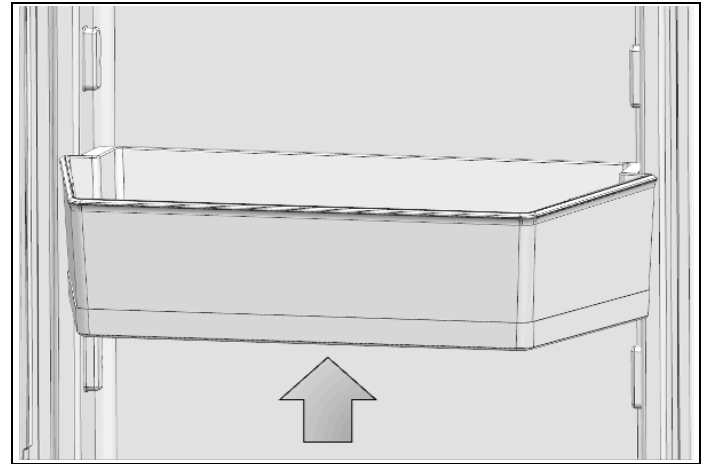


Fig. 2

To adjust the height of a door bin, press and hold the buttons at the right and left sides to adjust the bin to the desired height without having to remove it. To remove the adjustable door bin, press and hold the buttons, lift the bin completely and pull it towards yourself. To reinstall the door bin, position it in its place on the door and press the buttons to slide it downwards. Please see the figure.

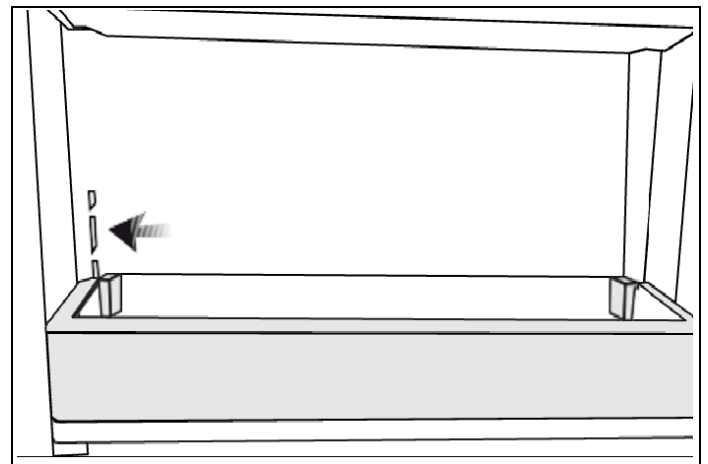


Fig. 3

USE

GLASS SHELVES

The height of the glass shelves can be adjusted manually using the rear hangers. Holding a shelf from the bottom, lift the front part and raise it to an angled position; the tabs on the hangers will be released and the glass shelf will move up and down.

To remove a shelf

- Hold the front of the shelf, then gently lift up and slide it out.

To reinsert

- Hold the shelf at an angle so that the front is higher than the back, then insert the top hook into the top shelf notch you wish to use.
- Lower the front gently.



NOTE

To prevent breakage or scratching the interior of the fridge, use care when handling glass shelves.

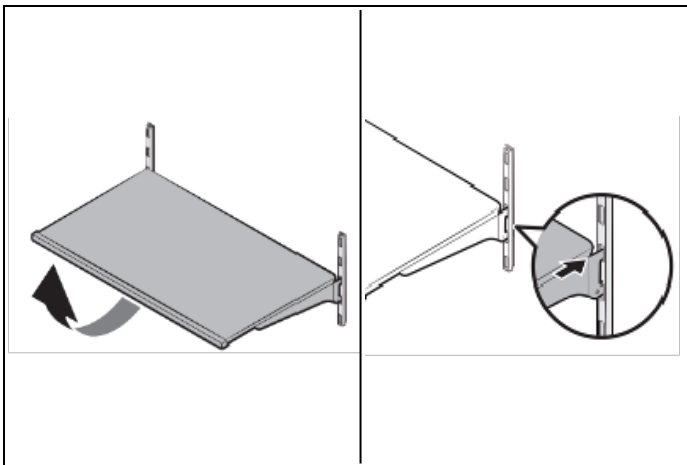


Fig. 4



WARNING

Glass shelves must be unloaded before moving.



WARNING

You must wait for the glass shelves to reach room temperature before immersing them in water for cleaning.



WARNING

The door may not close if the door bins are positioned at the same level as the glass shelves. After placing the shelves, make sure that the door can close properly.

DRAWERS

To remove a drawer

- Pull out the drawer until it stops.
- Gently unclip the front section of the drawer, then pull it out completely.

To install a drawer

- Pull the rails as far forward as they will go.
- Align the gaps at the rear corners of the drawer with the components located at the rear ends of the rails.
- Push the drawer slowly down until you feel it clip onto the rails at the front.

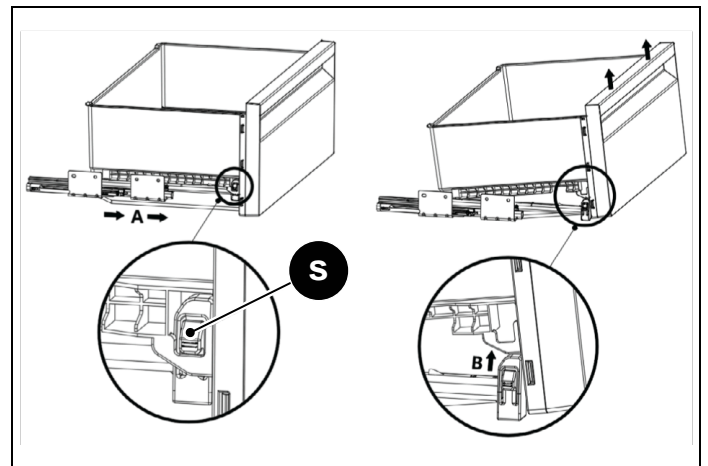


Fig. 5

- S – Security tab



NOTE

Make sure that the components on the right- and left-hand sides of the rails are firmly secured when installing the drawer.



NOTE

Never leave vegetables in their plastic bags in the drawer. If they are left in their plastic bags, they will spoil in a short period of time.

The drawers preserve the humidity of your vegetables, allowing you to store them for a longer time without having to keep them in their bags.

If you prefer that the vegetables not come into contact with each other for hygienic reasons, you can use perforated paper, foam or other similar materials instead of plastic bags.

USE

When positioning the vegetables in the drawers, their specific weights should be taken into consideration. Heavy and hard vegetables must be placed at the bottom of the drawer and light and soft vegetables must be kept on top.

Pears, kiwis, tomatoes, cucumbers, apricots, peaches, broccoli, lettuce, cabbage, parsley and spinach are fruits and vegetables that emit ethylene gas. Do not place them in the same crisper with other fruits and vegetables. The ethylene gas emitted by these foods causes other fruits and vegetables to ripen sooner and to spoil in a shorter span of time.

Do not remove the drawer from the refrigerator unless you must do so.

FRESCO COMPARTMENT

This section is designed for storing foods such as fish, meat and vegetables, as well as deli products such as cheese and cold cuts. You can control the temperature in this compartment in order to preserve them better



NOTE

Removal/installation procedures for the Fresco compartment are the same as those for the refrigerator drawers.

HINGE ADJUSTMENT

When adjusting the tightness of the hinge, the tightness of the lower and upper door hinges of the fresh food compartment can be adjusted with the help of an electric screwdriver. Move the hinge adjustment screw to position "1" from position "0".

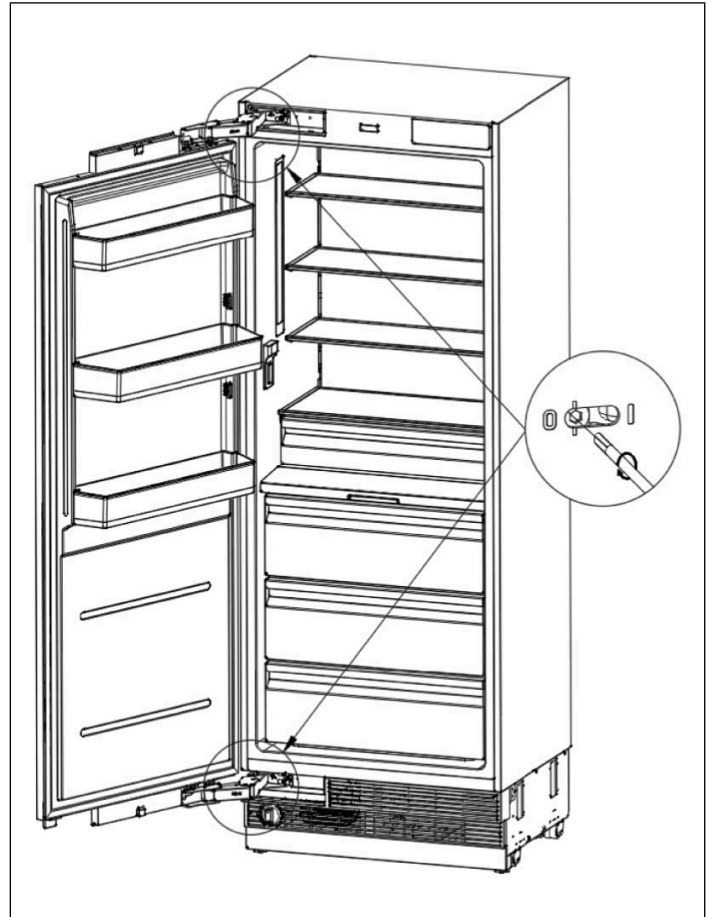


Fig. 6

REPLACING THE WATER FILTER

Water filter cartridge

The water filter cartridge is located at the bottom part of the unit.

The filter cartridge should be replaced every 130 days, otherwise water flow to the water dispenser or to the icemaker decreases.

The water filter replacement alarm symbol lights up on the refrigerator/freezer display after 130 days of use of each installed water filter.

Changing the water filter cartridge

Turn the water filter counterclockwise and remove.

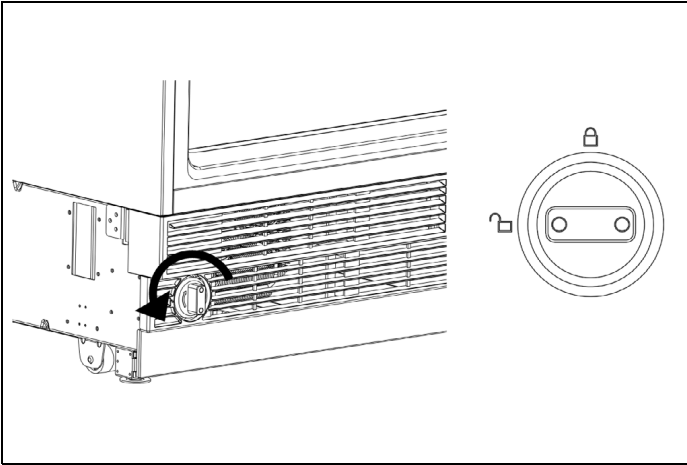


Fig. 7

Insert the water filter – with the knobs at the front in a horizontal position as far as it will go, and turn clockwise until it snaps in.

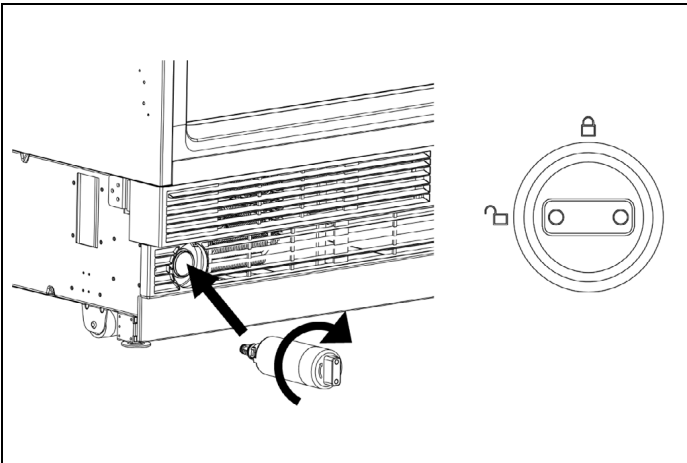


Fig. 8

After replacing the water filter cartridge

In refrigerator columns, run 2 gallons (8 liters) from the water dispenser to remove air from the system. A newly installed filter cartridge gushes and drips water until the air is removed from the system. In freezer columns, the ice maker may not immediately produce ice. First ice cubes may be irregularly shaped. Discard the first bin full of ice to allow air to purge from the system. A newly installed filter cartridge gushes and drips water in the ice maker until the air is removed from the system.

After changing the water filter, press SELECT button for 5 seconds to reset the alarm.



NOTE

It is normal for the first water and ice released from the dispensers to appear discolored. The color will return to normal once all of the above procedures are completed.

LIGHTING

To provide optimum interior lighting, LED strips illuminate the refrigerator compartment from the top and sets of LED lights directly illuminate different areas of the refrigerator compartment, of the refrigerator drawers and the freezer drawer.

In case of malfunction and/or wearing out of the lighting system, repairs should be carried out by a qualified Service technician.

FOOD STORAGE

Your appliance is equipped with two separate cooling systems, one for the fresh food compartment and one for the freezer compartment.

This way the air and odour in the fresh food compartment and the frozen food compartment do not mix.

Thanks to these two separate cooling systems, the cooling speed is much higher than that of other refrigerators. Also, it allows for additional power savings, since defrosting is performed separately.

We recommended that you follow the instructions provided below which will allow you to use your refrigerator/freezer in the safest and most effective manner, to keep your foods in the best possible way for as long as possible.

Bear in mind that the Fresco drawer is the area for preserving the most delicate fresh foods, since it ensures constant average temperature near freezing.

USE

STORING FRESH FOOD

- Store food when fresh and undamaged. The quality and freshness will then be retained for longer.
- When placing your meat, fish or poultry in the refrigerator, leave them in their original packaging, unless it is ripped or punctured. Repeated handling could introduce bacteria into these foods.
- Keep raw meat, fish and poultry separate from other foods and avoid any possible leaks or drips.
- Label and date the packages.
- Leave warm food and beverages to cool down before placing them in the refrigerator compartment.
- Be careful to correctly position the food items on the shelves in a way that does not obstruct the air circulation vents inside the compartment.



NOTE

In the case of convenience products and bottled goods, do not exceed the minimum sell-by date or use-by date specified by the manufacturer.

RECOMMENDATIONS FOR STORING FROZEN FOOD

- Frozen foods you purchase must be stored in the conditions and at the temperature determined by the food manufacturer.
- To ensure that the high quality achieved by the frozen food manufacturer and the food retailer is maintained, heed the following recommendations:
 - 1) Put packages in the freezer as quickly as possible after purchase.
 - 2) Make sure that packages are labelled and dated.
 - 3) Check whether or not the "Use By" or "Best Before" date on the packaging has passed.

ARRANGING THE FOODS

COMPARTMENT	FOOD
Egg tray	Eggs
Fridge compartment shelves	Food in pans, covered plates and closed containers
Door bins	Small and packaged foods or beverages (milk, fruit juice, beer, etc.)
Crisper	Fruit and vegetables
Fresco compartment	Raw meat and fish, delicatessen products (cheese, cold cuts, etc.)

OPERATING TEMPERATURE

FREEZER	FRIDGE	NOTES
-18°C (0°F)	4°C (39°F)	This is the recommended normal setting.
-20°C (-4°F)	3°C (37°F)	These settings are recommended when the ambient temperature is above 30°C (86°F).
Super Freeze	4°C (39°F)	Use when you wish to freeze your food in a short time. Your appliance will return to its previous mode when the process is over.
-24°C (-11°F)	2°C (35°F)	Use these settings if you think that your fridge compartment is not cold enough because of hot ambient conditions or frequent opening and closing of the door.
-18°C (0°F) or colder	Super Cool	Use this function when you are putting a lot of things into the fridge compartment at once or when you need to cool your food quickly. It is recommended that you activate the Super Cool function 4-8 hours before adding the food.

Recommended Operating Temperature:

Fridge: 4°C (39°F), Freezer: -18°C (0°F), Fresco 2°C (35°F).

USE

OPERATION

DISPLAY PANEL

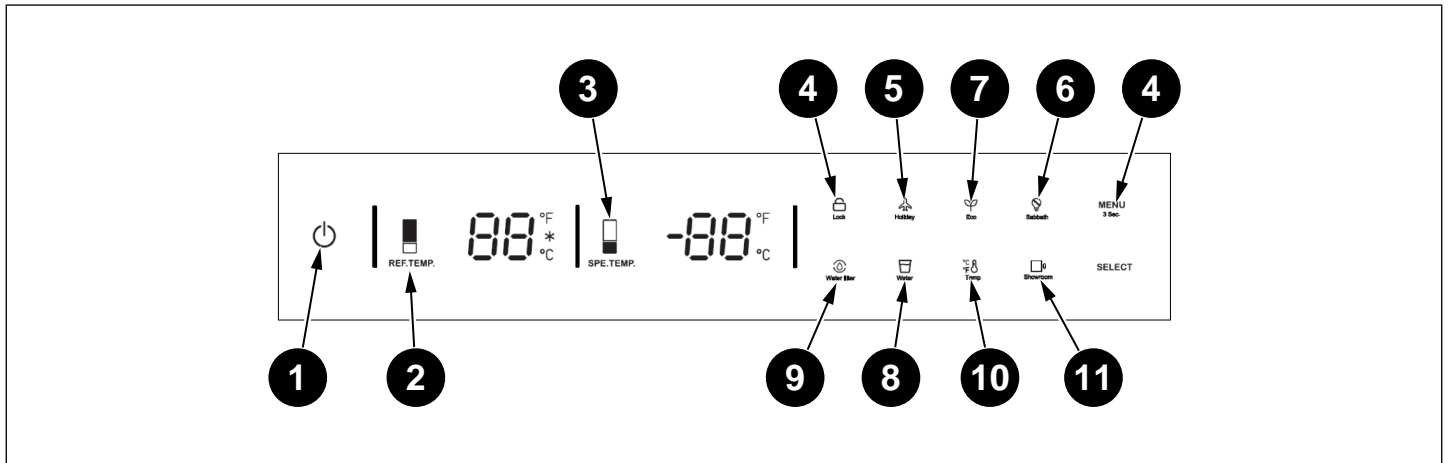


Fig. 9

- 1 On/Off button
- 2 Refrigerator compartment temperature adjustment button
- 3 Fresco compartment temperature adjustment button
- 4 Button for Function Selection and for Enabling/Disabling the Child Lock
- 5 Vacation Mode
- 6 Sabbath Mode
- 7 Eco Mode
- 8 Water Dispenser (if applicable)
- 9 Water filter replacement (if applicable)
- 10 Celsius and Fahrenheit selection
- 11 Showroom mode

NOTE



The figures in this user manual are schematic and may not match the product exactly. If your product does not have the parts described, the information applies to other models.

ON/OFF BUTTON

Serves to switch the whole appliance On or Off. Press the button to switch on the appliance; it will switch on after 5 seconds. Press and hold the On/Off button for 2 seconds to switch off.

BUTTON FOR FUNCTION SELECTION AND FOR ENABLING/DISABLING THE CHILD LOCK

The child lock is a feature for preventing children from changing the appliance's settings. Press and hold the MENU button for 3 seconds to lock/unlock the control panel.

When the child lock is enabled, the lock symbol will light up on the display.

REFRIGERATOR COMPARTMENT TEMPERATURE ADJUSTMENT BUTTON

Press the REF. TEMP. button to adjust the temperature within a range of between 2°C (35°F) and 8°C (46°F). The best temperature for the fresh food compartment is 4°C (39°F).

The Super Cool function can be activated by continuing to press after reaching 2°C (35°F). The "snow" symbol will light up on the display and the function will be activated. The refrigerator will operate at 2°C (35°F) for 24 hours. After that, the function will quit automatically and the refrigerator compartment will go back to its original temperature setting.

NOTE



The default temperature setting is 5°C (41°F) for the fridge compartment.

USE

FRESCO COMPARTMENT TEMPERATURE ADJUSTMENT BUTTON

Press the SPE. TEMP. button to adjust the Fresco compartment temperature within a range of between -1°C (30°F) and 5°C (41°F).



NOTE

The default temperature setting is 2°C (35°F) for the Fresco compartment.

VACATION MODE

Press the MENU button until the “vacation” symbol lights up, then press the SELECT button to enable the function. When the Vacation Mode function is enabled, the fridge temperature will be set at 17°C (62°F) automatically. When Vacation Mode is selected, the system will operate continuously. To deactivate Vacation Mode, press the MENU button until the “vacation” symbol lights up, then press SELECT.



NOTE

Do not store food in the fresh food compartment when Vacation Mode is enabled.

SHABBAT MODE

Press the MENU button until the Shabbat Mode symbol lights up, then press the SELECT button to enable the function. When the Shabbat Mode function is enabled, all lights, buzzers and display panels will be switched off. To deactivate Shabbat Mode, press the MENU button until the Shabbat Mode symbol lights up, then press SELECT.

ECO MODE

Press the MENU button until the Eco Mode symbol lights up, then press the SELECT button to enable the function. When the Eco Mode function is enabled, the fridge temperature will be set at 8°C (46°F) automatically. To deactivate Eco Mode, press the MENU button until the Eco symbol lights up, then press SELECT.

WATER DISPENSER (IF APPLICABLE)

Press the MENU button until the water dispenser symbol lights up, then press the SELECT button to enable the function. When the water dispensing function is enabled, fresh water can be dispensed from the dispenser fitted on the internal wall.

WATER FILTER REPLACEMENT (IF APPLICABLE)

The water filter symbol flashes and beeps to advise the user to replace the water filter. After replacement is complete, press and hold the SELECT button for 5 seconds to reset. The set replacement time is 180 days.

The refrigerator comes equipped with a water plug designed to replace the water filter when connected to a centralized water treatment system or when the filter is not used.

If your refrigerator is connected to such a system, remove the filter and install the water plug in its place within the filter casing.

After 180 days of use, an alarm on the user interface will remind to reset the filter counter, even when using the water plug.

CELSIUS AND FAHRENHEIT SELECTION

To switch between Celsius and Fahrenheit, press the MENU button until the Celsius and Fahrenheit selection symbol lights up. Press the SELECT button to confirm your choice.

SHOWROOM MODE

Press the MENU button until the showroom symbol lights up, then press the SELECT button to enable the function.

This mode is used when the refrigerator is on display in a retail store or if you want to turn the cooling off and deactivate all other functions except interior lighting.



NOTE

Do not store any food items while in showroom mode, because the appliance then remains at room temperature.

CLEANING AND CARE

The service life of the product will be extended and frequently encountered problems will occur less often if the product is cleaned periodically.



WARNING

Switch off the product before cleaning.



WARNING

It is recommended that you clean the condenser every six months, using gloves. Do not use a vacuum cleaner.

- Never use gasoline, benzene or any similar substance for cleaning purposes.
- Never use any sharp or abrasive instrument, soap, household cleaner, detergent or wax polish for cleaning.
- Dissolve one teaspoon of sodium bicarbonate in half a litre of water. Soak a cloth in the solution and wring it out thoroughly. Wipe the interior of the refrigerator with this cloth and dry thoroughly.
- Make sure that no water penetrates the lamp housing or other electrical parts.
- If you will not be using the refrigerator for a long time, unplug it, remove all of the food from inside, clean it out and leave the door ajar.
- Check regularly that the door seals are clean. If not, clean them.
- Take everything out of the appliance before removing the door and the upper fridge shelves.
- Remove the door bins by pulling them up. Slide the shelves downwards to reinstall them after cleaning.
- Never use water or cleaning agents that contain chlorine to clean the exterior surfaces or the chrome parts of the product. Chlorine causes abrasion on metal surfaces of this type.

PREVENTING UNPLEASANT ODOURS

Materials that can cause odours are not used in the manufacturing of our refrigerators. However, odours may be emitted by foods that are stored improperly or if the interior surfaces of the product are not cleaned as required.

Please heed the following tips in order to prevent this problem:

- It is important that the refrigerator be kept clean. Food residues, spills, etc. can cause odours. For this reason, clean your refrigerator with a solution of sodium bicarbonate dissolved in water every 15 days. Never use detergents or soaps.
- Keep your food in closed containers. Microorganisms escaping from uncovered containers can cause unpleasant odours.
- Never keep expired or spoiled foods in your refrigerator.

PROTECTING PLASTIC SURFACES

Do not put unsealed containers containing oils in liquid form or meals cooked in oil into your refrigerator, as these may damage the plastic surfaces of your refrigerator.

If oil is spilled or smeared onto the plastic surfaces, clean and rinse the affected areas immediately using warm water.

CLEANING THE INTERIOR SURFACES

To clean the interior surfaces and all removable parts, wash them with a mild solution of dishwasher soap, water, and sodium bicarbonate. Rinse and dry thoroughly.

Do not allow the water to come into contact with the lighting equipment or control panel.



WARNING

Do not use vinegar, rubbing alcohol or any alcohol-based cleaning agent on any of the interior surfaces.

STAINLESS STEEL EXTERIOR SURFACES

Use a non-abrasive stainless-steel cleaning agent; apply it with a soft, lint-free cloth.

For polishing, wipe the surface gently with a damp microfibre cloth and follow with dry washleather.

Always rub in the direction of the grain of the stainless steel.

TROUBLESHOOTING

If you notice any malfunctioning of your appliance, use this guide before calling for service. This guide can help you to personally solve most of the faults that occur during daily use of the device or could provide important information that you can convey to the Service technician to ensure rapid and effective repair.

Your appliance may not have some of the features described here.



WARNING

If you cannot resolve the problem even by following the instructions in this section, consult your dealer or Authorized Service Provider. Never attempt to repair a malfunctioning appliance on your own.



NOTE

If the unit you purchased was used as a showroom model, it may be in a special energy-saving mode called Demo Mode, in which the appliance appears to be operating (lights work and false temperatures are displayed) but no cooling takes place. If you suspect your appliance is in Demo Mode, please contact your point of purchase for assistance with disabling this feature.

TROUBLESHOOTING

TROUBLESHOOTING GUIDE

FAULT	POSSIBLE CAUSE	RESOLUTION
Beep sounds	The door may have been left open for too long.	Close the door to prevent the temperature from rising.
The refrigerator is not operating	The unit may not be plugged in properly.	Plug in the product properly.
	The fuse of the socket to which your refrigerator is connected, or the main fuse may have blown.	Check the fuse.
	Electrical power may have gone out.	Restore electrical power.
	The appliance is switched off or is set on Demo/Showroom Mode.	Turn on the appliance or de-activate the Demo/Showroom Mode.
There is condensation in the fridge compartment	The door may have been opened/closed frequently.	Do not open/close the refrigerator door frequently.
	The surrounding environment may be too humid.	Do not install the refrigerator in a location with a very high level of humidity.
	Foods containing liquids may have been placed inside the refrigerator in containers without covers.	Do not place foods containing liquids inside the refrigerator in unsealed containers.
	The refrigerator door may have been left ajar.	Do not keep the doors of your refrigerator open for a long time.
Ice or frost build-up inside the refrigerator, freezer, or Fresco compartment	The door may have been left open for a long period of time or may not close properly.	If the doors will not fully close, contact your installer.
The compressor is not operating	The refrigerator may not be plugged in.	Make sure that the plug fits the socket.
	The temperature settings may be incorrect.	Select the correct temperature value.
	Possible power failure.	The compressor's thermal overload protector will shut the compressor off in the event of a sudden power failure or when the appliance is unplugged then plugged back in, as the pressure of the refrigerant in the refrigerator's cooling system has not yet been balanced. The refrigerator will start running normally again after approximately 6 minutes once power is restored. If, after this period of time has elapsed, the refrigerator has not resumed operation, please call your Authorized Service Provider.
The operating noise increases when the refrigerator is running	The refrigerator's performance may vary based on changes in the ambient temperature. This is normal and not a malfunction.	No action needed. Bear in mind that during very hot weather and with very high temperatures in the room it is normal for the compressor to remain on for extended periods of time.
Vibration or noise	The floor may not be stable or level.	If the refrigerator shakes when moved slightly, adjust the feet to balance it. Make sure that the floor is level and capable of bearing the refrigerator's weight.
	Objects placed on top of the refrigerator may cause noise.	Remove any objects that are on the refrigerator.

TROUBLESHOOTING

FAULT	POSSIBLE CAUSE	RESOLUTION
There are noises coming from the refrigerator, like liquid spilling or spraying	Ordinary refrigerator operation involves flows of liquid and gas. This is normal and not a malfunction.	No action needed.
A whistle is heard coming from the refrigerator	Fans are used to cool the refrigerator. This is normal and not a malfunction.	No action needed.
Moisture accumulates on the interior walls of refrigerator	Hot and humid weather increases icing and condensation. This is normal and not a malfunction.	No action needed.
	The doors may have been opened frequently or left ajar for a long time.	Do not open the doors frequently. Close the doors, if open.
	The door may have been left ajar.	Close the door completely.
There is moisture accumulating on the exterior surfaces of the refrigerator or between the doors	The ambient air may be humid. This is quite normal in humid weather or climates.	The condensation will disappear when the humidity level decreases.
	Exterior condensation may occur in the section between the refrigerator's two doors if you use your appliance rarely. This is normal. This condensation will disappear with more frequent use.	
There is an unpleasant odor inside the refrigerator	Regular cleaning may not have been performed.	Clean the inside of the refrigerator using a sponge, lukewarm water or a solution of water and sodium bicarbonate.
	Some containers or packaging materials can be the source of unpleasant odors.	Use a different container or packaging materials from a different brand.
	Food may have been placed inside the refrigerator in uncovered containers.	Store food in closed containers. Microorganisms escaping from uncovered containers can cause unpleasant odors.
	Some food may be left in the refrigerator for extended periods of time.	Remove any expired or spoiled foods from the refrigerator.
The door will not close	Food packages may be preventing the door from closing.	Relocate any packages obstructing the door.
	The refrigerator may not be standing in a stable position on the floor.	Adjust the refrigerator's feet as required to ensure it is stable.
	The floor may not be level or sturdy.	Make sure that the floor is level and capable of bearing the refrigerator's weight.
The door is difficult to open	The appliance is designed to ensure a fully hermetic closure. When the door is closed, a vacuum condition can be created.	In such an event, it is necessary to wait a few seconds until the pressure balances before opening the door.
Drawers are stuck	Food may be touching the ceiling of the drawer.	Rearrange the food inside the drawer.
The appliance is cooling, but the lights and display are not working	The appliance may have been accidentally put into Sabbath Mode.	De-activate the function by following the instructions contained in this manual.

WARRANTY AND SERVICE



Bertazzoni is committed to providing the highest quality service to our customers. In the unlikely event that your product should have a manufacturing defect, please contact our service team at:

<https://uk.bertazzoni.com/more/care-service>

You will be requested to provide product information, proof of purchase, a photo of the silver data label and a description of the issue. Please have this information ready.

DALLA SCRIVANIA DEL PRESIDENTE

Gentile Cliente,

grazie per aver scelto per la Sua casa la qualità degli elettrodomestici Bertazzoni.

È dal lontano 1882 che la mia famiglia costruisce cucine e si è dunque conquistata una solida reputazione per l'eccellenza della sua ingegneria, nata dalla passione per la buona tavola.

Oggi, i nostri prodotti si distinguono per il loro mix esclusivo di autentico design italiano e tecnologia di alto livello. La nostra missione è quella di costruire elettrodomestici dal funzionamento perfetto, che soddisfino pienamente chi li usa.

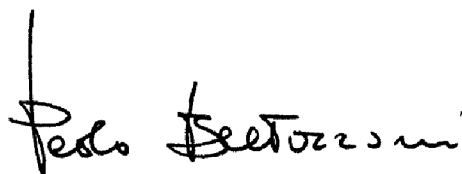
Creando prodotti di elevata qualità estetica, rispondiamo alle esigenze dei nostri clienti. I nostri elettrodomestici sono inoltre versatili e maneggevoli, perciò cucinare con Bertazzoni diventa un vero piacere.

Questo manuale La aiuterà ad utilizzare e a prendersi cura del Suo prodotto Bertazzoni nel modo più sicuro ed efficiente, affinché Le possa dare la massima soddisfazione per molti anni a venire.

Spero che sia di Suo completo gradimento!

Paolo Bertazzoni

Presidente

A handwritten signature in black ink, reading "Paolo Bertazzoni". The signature is written in a cursive, flowing style with a vertical line above the first letter 'P'.

VALIDITÀ DEL MANUALE PER L'UTENTE

Questo manuale d'uso è valido per i seguenti codici prodotto:

- RLD60S5FPNS
- RLD75S5FPNS

INDICE

INFORMAZIONI GENERALI	29
INFORMAZIONI SUL MANUALE	29
INFORMAZIONI DI SICUREZZA	29
NONI METTERE A RISCHIO BAMBINI E PERSONE VULNERABILI	29
RISCHIO DI SCOSSE ELETTRICHE!	30
RISCHIO DI ESPLOSIONE	30
RISCHIO DI LESIONI	30
RISCHIO DI SOFFOCAMENTO	30
RISCHIO DI INTOSSICAZIONE ALIMENTARE	30
PERICOLO DI INCENDIO/AVVERTENZA ISOBUTANO	31
RISPETTO PER L'AMBIENTE	31
RISPARMIO ENERGETICO	32
SPECIFICHE	33
DESCRIZIONE DELL'APPARECCHIO	33
SPECIFICHE TECNICHE	33
MANUALE PER L'UTENTE E DI MANUTENZIONE	34
USO	34
AZIONI PRELIMINARI	34
CONFIGURAZIONE INTERNA (POSIZIONAMENTO, REGOLAZIONE E RIMOZIONE COMPONENTI)	34
SOSTITUZIONE DEL FILTRO DELL'ACQUA	37
ILLUMINAZIONE	38
CONSERVAZIONE DEGLI ALIMENTI	38
FUNZIONAMENTO	40
PULIZIA E CURA	43
PREVENZIONE DEI CATTIVI ODORI	43
PROTEZIONE DELLE SUPERFICI IN PLASTICA	43
PULIZIA DELLE SUPERFICI INTERNE	43
SUPERFICI ESTERNE IN ACCIAIO INOSSIDABILE	43
RISOLUZIONE DEI PROBLEMI	44
GUIDA ALLA RISOLUZIONE DEI PROBLEMI	45
DICHIARAZIONE DI GARANZIA CONVENZIONALE	48
ART. 1 - OGGETTO DELLA GARANZIA	48
ART. 2 - DURATA E CONDIZIONI DI VALIDITÀ	48
ART. 3 - CLAUSOLE DI ESCLUSIONE	49
ART. 4 - LIMITAZIONI DELLA RESPONSABILITÀ DEL PRODUTTORE	49
ART. 5 - PROCEDURA PER ATTIVARE LA GARANZIA CONVENZIONALE	49

INFORMAZIONI GENERALI

INFORMAZIONI SUL MANUALE

Queste istruzioni sono adatte a diversi tipi di apparecchi, pertanto potrebbero contenere descrizioni di funzioni che questo elettrodomestico potrebbe non includere o supportare.

Le immagini e le illustrazioni contenute in questo documento si riferiscono a vari modelli e potrebbero differire leggermente dal prodotto acquistato.

Il produttore declina qualsiasi responsabilità per danni a persone o cose derivanti da un'installazione non corretta o da un uso improprio dell'elettrodomestico.

Il produttore si riserva il diritto di modificare i vari modelli in base alle esigenze di conformità alle normative tecniche in vigore.

In caso di reclami, contattare l'assistenza clienti. Prima di installare e/o utilizzare l'apparecchio, leggere accuratamente le istruzioni presenti in questo manuale. Questo contribuirà a conoscere meglio il nuovo apparecchio. Conservare questo documento a portata di mano per poterlo consultare in qualsiasi momento e consegnarlo ad eventuali proprietari futuri.

Leggere i messaggi di sicurezza forniti nell'introduzione al presente manuale e prestare la necessaria attenzione alle note di sicurezza, ad esempio: "Attenzione", "Avvertenza" e "Pericolo" che appariranno nel testo.



PERICOLO

Questo simbolo indica una situazione che costituisce un pericolo per l'utente e per altre persone. Leggere attentamente e assicurarsi di aver perfettamente compreso le cause di incidenti potenzialmente pericolosi o letali.



AVVERTENZA

Questo simbolo indica informazioni di sicurezza. Leggere attentamente e assicurarsi di aver perfettamente compreso le cause di incidenti potenzialmente pericolosi.



ATTENZIONE

Questo simbolo indica una procedura che potrebbe comportare un rischio per la struttura o i componenti dell'elettrodomestico. Prestare particolare attenzione a queste procedure.



NOTA

Questo simbolo evidenzia metodi e procedure per un utilizzo corretto dell'elettrodomestico.

Il modello, il codice di vendita e il numero di serie sono stampati sulla targhetta. Per l'ubicazione della targhetta, consultare la sezione Specifiche del presente manuale.



NOTA

Si consiglia di annotare i dati e i numeri di serie dell'apparecchio in modo che siano immediatamente disponibili in caso di necessità.



NOTA

Indicare le informazioni riportate sulla targhetta per migliorare l'efficienza del servizio post-vendita e dei ricambi. Ai fini della garanzia, sono necessari anche la data di installazione e il nome del rivenditore autorizzato Bertazzoni.



AVVERTENZA

Quando si utilizza l'apparecchio, seguire le precauzioni di base. Leggere tutte le istruzioni prima di utilizzare l'apparecchio. Conservare queste istruzioni e trasmetterle agli eventuali utenti futuri.

INFORMAZIONI DI SICUREZZA

Questo prodotto è stato progettato per uso domestico. Non deve essere impiegato al di fuori dell'uso previsto. Deve essere utilizzato solo per conservare alimenti.

Il produttore non si assume alcuna responsabilità per i danni derivanti da un utilizzo o un trasporto improprio dell'apparecchio.

I ricambi originali saranno disponibili per 10 anni dalla data di acquisto del prodotto.

NONI METTERE A RISCHIO BAMBINI E PERSONE VULNERABILI

- Questo frigorifero non è destinato ad essere utilizzato da persone (bambini compresi) con ridotte capacità fisiche o sensoriali o prive dell'esperienza e delle conoscenze necessarie, se non supervisionate o istruite all'uso del frigorifero da una persona responsabile della loro sicurezza.
- I bambini dovrebbero essere sorvegliati per controllare che non giochino con il frigorifero.
- La pulizia e la manutenzione non devono essere eseguite dai bambini a meno che non siano sorvegliati da un adulto.

INFORMAZIONI GENERALI

RISCHIO DI SCOSSE ELETTRICHE!

- Assicurarsi di scollegare l'apparecchio durante le procedure di installazione, manutenzione, pulizia e riparazione.
- Quando si installa l'apparecchio, assicurarsi che il cavo di rete non sia incastrato o danneggiato.
- Se il cavo di rete di questo apparecchio è danneggiato, deve essere sostituito dal produttore, dal tecnico dell'assistenza o da persone altrettanto qualificate. Installazioni e riparazioni improprie possono mettere a rischio l'utente.
- Non utilizzare adattatori. Non utilizzare cavi di prolunga.
- Non collegare il frigorifero se la presa a muro è allentata. Non tirare il cavo per scollegare l'apparecchio.
- Scollegare il prodotto dalla rete se si verifica un guasto durante l'uso. Se il prodotto non funziona correttamente, non deve essere utilizzato fino a quando non viene riparato dal Centro assistenza autorizzato. Il costruttore declina ogni responsabilità per eventuali danni derivanti da procedure eseguite da personale non autorizzato.
- Non lavare mai l'apparecchio spargendo o versando acqua su di esso! Non toccare mai la spina con le mani bagnate!
- Non usare mai vapore o pulitori a vapore per pulire o sbrinare il frigorifero. Il vapore può causare un cortocircuito o una scossa elettrica se entra in contatto con i componenti elettrici del frigorifero.
- Non collegare mai il frigorifero a dispositivi di risparmio energetico. Questi sistemi possono essere dannosi per il vostro apparecchio.

RISCHIO DI ESPLOSIONE

- Non usare apparecchi elettrici di alcun tipo all'interno degli scomparti per la conservazione dei cibi.
- Non utilizzare dispositivi meccanici, o altri mezzi per accelerare il processo di sbrinamento, diversi da quelli consigliati dal produttore.
- Non conservare in questo frigorifero oggetti esplosivi come, ad esempio, bombolette spray con propellente infiammabile.
- Le bottiglie contenenti bevande ad alto contenuto alcolico devono essere ben chiuse e conservate in verticale.

RISCHIO DI LESIONI

- Non inserire nello scomparto del congelatore bevande gassate o liquidi in lattine o contenitori di vetro, in quanto potrebbero esplodere!
- Non utilizzare mai parti del frigorifero, come la porta e i cassetti, come mezzi di appoggio o gradini. L'apparecchio potrebbe ribaltarsi o danneggiarsi.
- Non sedersi sull'apparecchio e non collocare oggetti pesanti sopra l'apparecchio.
- Non appoggiarsi o sedersi sulla porta o sui cassetti aperti. Non fare leva sulla porta o sulla maniglia per spostare l'apparecchio.
- Non sovraccaricare il frigorifero. Gli oggetti nel frigorifero possono cadere quando si apre lo sportello, causando lesioni personali o danni alle cose.
- Prestare attenzione a non incastrare la mano o qualsiasi altra parte del corpo nelle parti mobili del frigorifero (per esempio ice maker automatico).

RISCHIO DI SOFFOCAMENTO

- I materiali di imballaggio possono essere pericolosi per i bambini. Non permettere ai bambini di giocare con sacchetti di plastica, pellicole di plastica o polistirolo.
- Se la porta dell'apparecchio è dotata di serratura, la chiave deve essere tenuta fuori dalla portata dei bambini.

RISCHIO DI INTOSSICAZIONE ALIMENTARE

- Conservare la carne e il pesce crudi in frigorifero, in contenitori appropriati, in modo che non vengano a contatto con altri alimenti o che non gocciolino su di essi.
- Evitare di lasciare lo sportello aperto per lunghi periodi di tempo, per evitare che la temperatura all'interno dei vani dell'apparecchio aumenti notevolmente.
- Pulire regolarmente le superfici che possono entrare in contatto con cibo e accessibili ai sistemi di drenaggio.
- Se il frigorifero rimane inutilizzato per un periodo di tempo prolungato, spegnerlo, sbrinarlo, pulirlo, asciugarlo e lasciare la porta aperta per evitare la formazione di muffa all'interno.

INFORMAZIONI GENERALI

PERICOLO DI INCENDIO/AVVERTENZA ISOBUTANO



Il circuito refrigerante dell'apparecchio contiene isobutano (R600a), un gas naturale con un elevato livello di compatibilità ambientale, ma che è comunque infiammabile.

Durante il trasporto e l'installazione dell'apparecchio, prestare attenzione a non danneggiare i componenti del circuito frigorifero.

Se il circuito del refrigerante dovesse danneggiarsi:

- evitare fiamme libere e fonti di accensione;
- ventilare a fondo il locale in cui si trova l'apparecchio.

NOTA



Se l'apparecchio è danneggiato o se si nota una fuga di gas, tenersi alla larga dal gas, in quanto può causare ustioni da freddo se viene a contatto con la pelle.

NOTA



Il tipo di gas utilizzato nel prodotto è riportato sulla targhetta identificativa, che si trova sulla parete interna sinistra del frigorifero.



ATTENZIONE

- Non danneggiare le parti in cui circola il refrigerante con utensili da foratura o da taglio. Se i condotti del gas dell'evaporatore, i tubi di prolunga o i rivestimenti superficiali vengono forati, il refrigerante potrebbe fuoriuscire causando irritazioni alla pelle e lesioni agli occhi. Non utilizzare oggetti appuntiti o affilati per rimuovere gli strati di brina o ghiaccio. Si potrebbero danneggiare i tubi del refrigerante. Le perdite di refrigerante possono provocare lesioni agli occhi o incendiarsi.
- Non provare MAI a estinguere l'incendio con l'acqua; spegnere l'elettrodomestico e coprire la fiamma con un coperchio o una coperta ignifuga.
- Non coprire o bloccare i fori di ventilazione del frigorifero con alcun oggetto.

RISPETTO PER L'AMBIENTE



Questo elettrodomestico è conforme alla direttiva europea 2011/65/UE (RoHS).

Sull'elettrodomestico è riportato il simbolo di conformità alla direttiva europea 2012/19/UE (WEEE, Waste Electrical and Electronic Equipment) in materia di Rifiuti di apparecchiature elettriche e elettroniche - RAEE.

Questa direttiva contiene le norme che regolano la raccolta e il riciclaggio degli apparecchi dismessi in tutta l'Unione Europea.



Il simbolo di un cassonetto con una croce sopra che compare sul prodotto indica che i Rifiuti di Apparecchiature Elettriche ed Elettroniche (RAEE) non devono essere gettati insieme ai normali rifiuti urbani, ma devono essere smaltiti separatamente, in modo da poter essere sottoposti a trattamenti speciali che ne consentano il riutilizzo o a trattamenti specifici per la rimozione e lo smaltimento in sicurezza di eventuali sostanze nocive per l'ambiente e l'estrazione di materie prime che possono essere riciclate.

Pertanto, i RAEE devono essere consegnati ai Centri di Riciclaggio gestiti dalle Amministrazioni Comunali o dalle Società di Gestione dei Rifiuti. Inoltre, quando si acquista un nuovo elettrodomestico, i RAEE possono essere consegnati al rivenditore, che è tenuto a ritirarli gratuitamente (ritiro "1:1"). I RAEE "molto piccoli" (con dimensioni non superiori a 25 cm) possono essere consegnati gratuitamente ai rivenditori anche quando non viene effettuato alcun acquisto (ritiro "0:1" - che tuttavia è obbligatorio solo per i negozi con una superficie di vendita superiore a 400 m²).

Prestare particolare attenzione alle corrette procedure di smaltimento di tutti i materiali di imballaggio. Prima dello smaltimento:

- Scollegare l'alimentazione di rete.
- Scollegare l'apparecchio e tagliare il cavo di alimentazione.
- Non danneggiare il circuito di refrigerazione durante lo smaltimento.

INFORMAZIONI GENERALI

L'apparecchio acquistato è conforme alla Direttiva UE RoHS (2011/65/EU). Non contiene materiali pericolosi o proibiti specificati nella Direttiva. Questo apparecchio non contiene sostanze pericolose per lo strato di ozono atmosferico, né nel circuito di refrigerazione né nell'isolamento.

I nostri apparecchi sono imballati in materiali non inquinanti e riciclabili, in conformità alle normative ambientali nazionali:

- Smaltire gli imballaggi nel rispetto dell'ambiente.
- Chiedere al rivenditore di informarsi presso le autorità locali sulle attuali modalità di smaltimento.

Ai fini delle verifiche EcoDesign, l'installazione e la preparazione dell'apparecchio devono essere conformi alla normativa EN 62552.

- I requisiti di ventilazione, dimensioni e spazio minimo dalla parete posteriore sono indicati nel manuale di "Installazione".
- Contattare il costruttore per ulteriori informazioni.

RISPARMIO ENERGETICO

L'uso adeguato dell'apparecchio, l'imballo corretto degli alimenti, la temperatura costante e l'igiene degli alimenti influisce sulla qualità di conservazione.



AVVERTENZA

Collegare il frigorifero a sistemi di risparmio energetico è pericoloso in quanto potrebbe causare danni all'apparecchio.

- Non lasciare aperte le porte del frigorifero per un tempo prolungato.
- Non mettere cibi o bevande calde nel frigorifero.
- Non sovraccaricare il frigorifero. La capacità di raffreddamento diminuisce quando viene bloccata la circolazione dell'aria nel frigorifero.
- Non posizionare il frigorifero in ambienti soggetti alla luce solare diretta. Installare il prodotto ad almeno 30 cm (12") di distanza da fonti di calore quali piani cottura, forni, radiatori e stufe e ad almeno 5 cm (2") di distanza da fornelli elettrici. Se questo non è possibile, è necessario utilizzare un adeguato pannello isolante.
- Assicurarsi di conservare i propri alimenti in contenitori chiusi all'interno del frigorifero.
- È possibile rimuovere il ripiano del cassetto del vano freezer in modo da riempirlo con la massima quantità di alimenti. Il valore di consumo energetico dichiarato del frigorifero è stato determinato con il ripiano o il cassetto del vano freezer rimosso e il frigorifero riempito con la massima quantità di alimenti. Non c'è nulla di sbagliato nell'usare uno scaffale piuttosto che un cassetto in base alla forma e alle dimensioni degli alimenti da congelare.
- Fare scongelare gli alimenti all'interno del vano frigorifero consente di risparmiare energia e preservare la qualità degli alimenti.
- Pulire periodicamente il condensatore (se accessibile) per evitare perdite di efficienza della macchina.



NOTA

La temperatura dell'ambiente in cui si trova il frigorifero deve essere di almeno 10°C (50°F). Si sconsiglia di utilizzare il frigorifero in ambienti con temperature più basse per non pregiudicarne l'efficienza.



NOTA

L'interno del frigorifero deve essere mantenuto perfettamente pulito.



NOTA

Se occorre installare due frigoriferi uno accanto all'altro, devono essere distanziati di almeno 4 cm (1 1/2 ").

SPECIFICHE

DESCRIZIONE DELL'APPARECCHIO

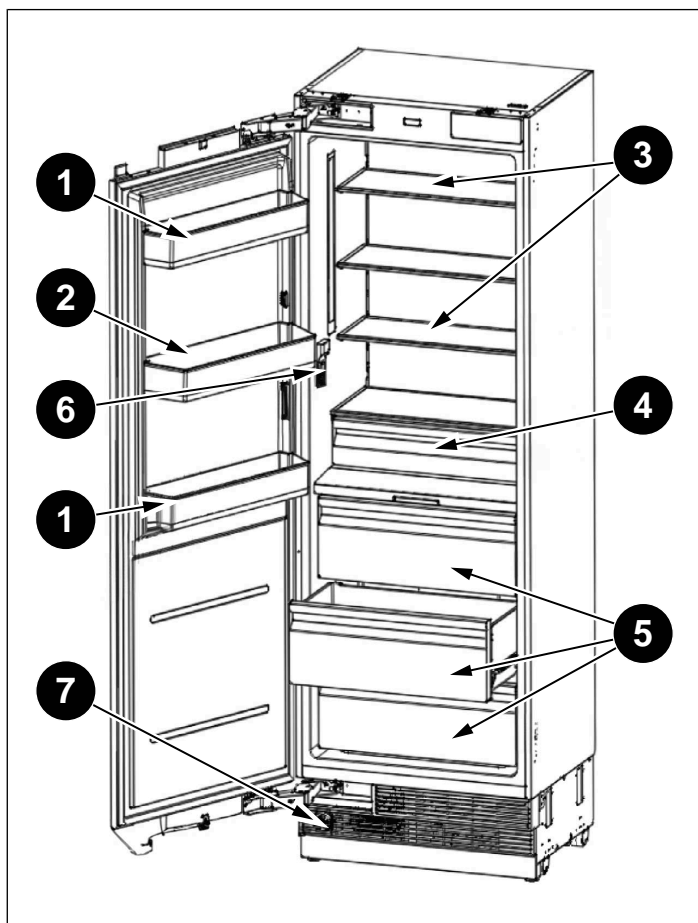


Fig. 1

- 1 Vaschette su porta
- 2 Contenitore per porta da un gallone
- 3 Ripiani
- 4 Cassetto piccolo con chiusura morbida
- 5 Cassetti grandi con chiusura morbida (Vano "Fresco")
- 6 Distributore d'acqua
- 7 Filtro acqua

NOTA



Le figure in questo manuale utente sono schematiche e potrebbero non corrispondere esattamente all'apparecchio. Se il vostro prodotto non ha le parti descritte, le informazioni si applicano ad altri modelli.

SPECIFICHE TECNICHE

ELEMENTO	DESCRIZIONE
Tipo di spina	SCHUKO
Presenza	220 V – 240 V
Conduttore di protezione	50 Hz
Fusibile	15 A
Pressione dell'acqua (per apparecchi con ice maker e/o distributore d'acqua)	Min. 0,17 Mpa (1,7 bar, 25 psi) – Max. 0,55 Mpa (5,5 bar, 80 psi)

Il refrigerante, il volume e altre specifiche tecniche sono riportate sulla targhetta.

AZIONI PRELIMINARI

Prima di utilizzare l'apparecchio, assicurarsi che siano state eseguite tutte le operazioni preliminari in conformità con le istruzioni riportate nella sezione *INFORMAZIONI DI SICUREZZA* del Manuale di installazione.

- Pulire l'interno del frigorifero come consigliato nella sezione *PULIZIA E CURA*. Prima di accendere il frigorifero, assicurarsi che l'interno sia asciutto.
- Collegare il frigorifero a una presa con messa a terra. L'illuminazione interna si accende quando si apre la porta del frigorifero.
- Far funzionare il frigorifero per 6 ore senza mettere alimenti al suo interno e non aprire la porta a meno che non sia necessario.

NOTA



Si sente un rumore quando il compressore si avvia. Anche i liquidi e i gas sigillati all'interno del sistema di refrigerazione possono produrre dei rumori, anche quando il compressore non è in funzione. Questo è del tutto normale.

NOTA



I bordi anteriori del frigorifero potrebbero essere caldi al tatto. Questo è normale. Queste aree infatti sono progettate per essere calde al fine di evitare la formazione di condensa.

Durante il funzionamento, è possibile che si sentano alcuni rumori assolutamente normali:

- Ronzio: Il frigorifero è in funzione. La ventola del sistema di ricircolo dell'aria è in funzione.
- Ronzio o gorgoglio: il refrigerante scorre nelle tubature.
- Clic: il motore si accende o si spegne. Apertura/chiusura dell'elettrovalvola sull'attacco dell'acqua.
- Rumore: i cubetti di ghiaccio cadono nel contenitore del ghiaccio.

L'unità è alimentata da due compressori indipendenti. È quindi normale che uno dei due compressori sia sempre in funzione.

CONFIGURAZIONE INTERNA (POSIZIONAMENTO, REGOLAZIONE E RIMOZIONE COMPONENTI)

VASCHEE SU PORTA

Per rimuovere una vaschetta della porta, tenerla dalla parte inferiore, sollevarla e sfilarla. Vedere la figura.

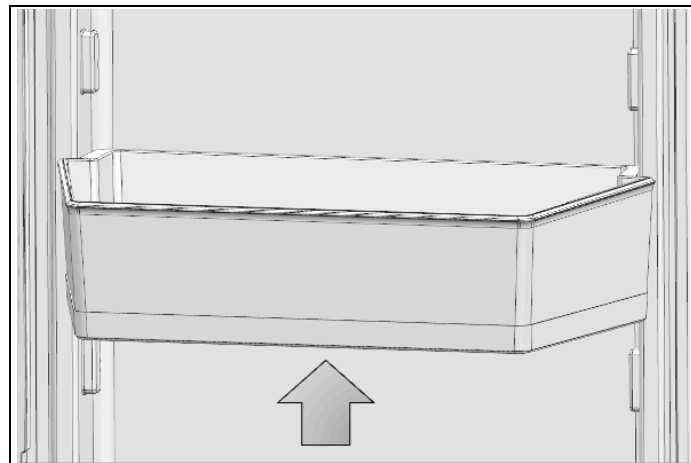


Fig. 2

Per regolare l'altezza di una vaschetta porta, tenere premuti i pulsanti sui lati destro e sinistro per regolare la vaschetta all'altezza desiderata senza doverla rimuovere. Per rimuovere la vaschetta porta regolabile, tenere premuti i pulsanti, sollevare completamente la vaschetta e tirarla verso di sé. Per reinstallare la vaschetta, posizionarla nella sua sede sulla porta e premere i pulsanti per farla scorrere verso il basso. Vedere la figura.

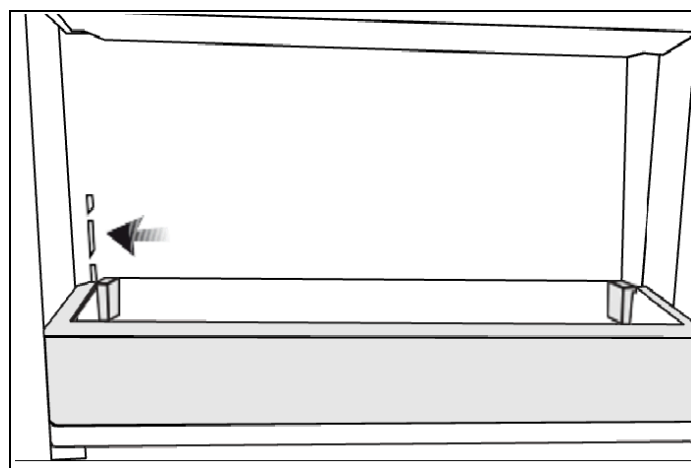


Fig. 3

RIPIANI DI VETRO

L'altezza dei ripiani in vetro può essere regolata manualmente tramite i ganci posteriori. Tenendo il ripiano dalla parte inferiore, sollevare la parte anteriore e alzarlo in posizione inclinata; le linguette sui ganci si sbloccheranno e il ripiano in vetro potrà essere mosso in su e in giù.

Per rimuovere un ripiano

- Tenere la parte anteriore del ripiano, quindi sollevare delicatamente e sfilarlo.

Per reinserirlo

- Tenere il ripiano inclinato in modo che la parte anteriore sia più alta di quella posteriore, quindi inserire il gancio superiore nella tacca del ripiano superiore che si desidera usare.
- Abbassare delicatamente la parte anteriore.



NOTA

Prestare attenzione quando si maneggiano i ripiani in vetro per evitare di romperli o di graffiare l'interno del frigorifero.

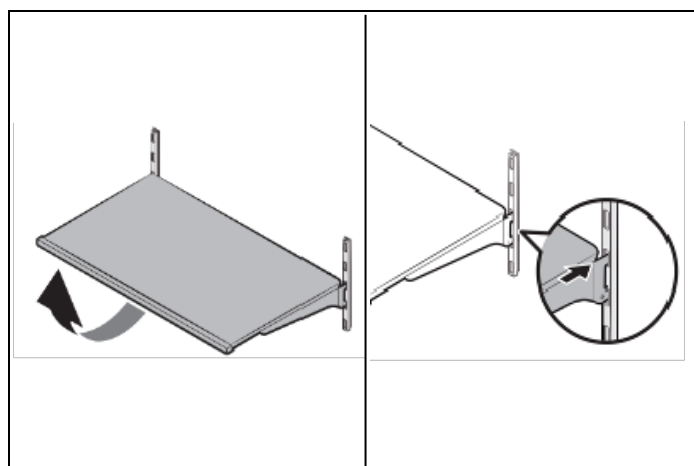


Fig. 4



AVVERTENZA

I ripiani di vetro devono essere svuotati prima di spostarli.



AVVERTENZA

È necessario attendere che i ripiani in vetro raggiungano la temperatura ambiente prima di immergerli in acqua per pulirli.



AVVERTENZA

La porta potrebbe non chiudersi se le vaschette della porta sono posizionate alla stessa altezza dei ripiani in vetro. Assicurarsi che la porta si chiuda correttamente dopo aver posizionato i ripiani.

CASSETTI

Per rimuovere un cassetto

- Tirare il cassetto fino all'arresto.
- Sganciare delicatamente la sezione frontale del cassetto e sfilarlo completamente.

Per installare un cassetto

- Tirare le guide il più possibile in avanti.
- Allineare gli spazi negli angoli posteriori del cassetto con i componenti situati alle estremità posteriori delle guide.
- Spingere il cassetto lentamente verso il basso finché non si sente che si aggancia alle guide nella parte anteriore.

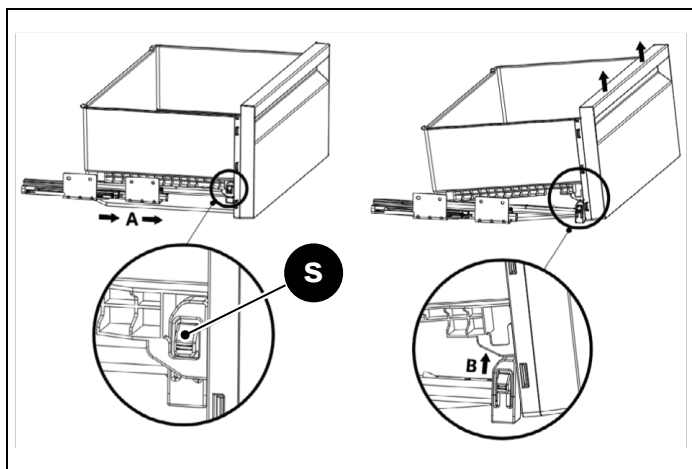


Fig. 5

- **Scheda – Sicurezza**



NOTA

Assicurarsi che i componenti sui lati destro e sinistro delle guide siano saldamente fissati quando si installa il cassetto.



NOTA

Non lasciare mai le verdure nei loro sacchetti di plastica all'interno del cassetto. Se vengono lasciate nei loro sacchetti di plastica, si deterioreranno più velocemente.

I cassetti mantengono l'umidità delle verdure, permettendovi di conservarle a lungo senza doverle riporre nei loro sacchetti.

Se per motivi igienici preferite che le verdure non entrino in contatto con altre verdure, potete utilizzare carta forata, materiale espanso o materiali simili al posto dei sacchetti di plastica.

Quando si posizionano le verdure nei cassetti, occorre tenere in considerazione il loro peso specifico. Le verdure pesanti e dure devono essere posizionate sul fondo del cassetto, mentre le verdure leggere e morbide devono essere conservate nella parte superiore.

Pere, kiwi, pomodori, cetrioli, albicocche, pesche, broccoli, lattuga, cavoli, prezzemolo e spinaci sono prodotti che emettono gas di etilene. Evitare di metterli nello stesso cassetto con altri tipi di frutta e verdura. Il gas di etilene sprigionato da questi alimenti fa sì che altri tipi di frutti e verdure maturino prima e deperiscano in un arco di tempo più breve.

Evitare di rimuovere il cassetto dal frigorifero se non è strettamente necessario.

VANO "FRESCO"

Questa sezione è progettata per la conservazione di alimenti come pesce, carne e verdure, oltre a prodotti di gastronomia come formaggi e salumi. La temperatura di questo vano può essere regolata al fine di una conservazione ottimale di questi alimenti



NOTA

Le procedure di smontaggio/montaggio del vano "fresco" sono uguali a quelle dei cassetti del frigorifero.

REGOLAZIONE DELLE CERNIERE

Per regolare il serraggio delle cerniere inferiore e superiore della porta dello scomparto degli alimenti freschi è possibile utilizzare un cacciavite elettrico. Portare la vite di regolazione della cerniera in posizione "1" dalla posizione "0".

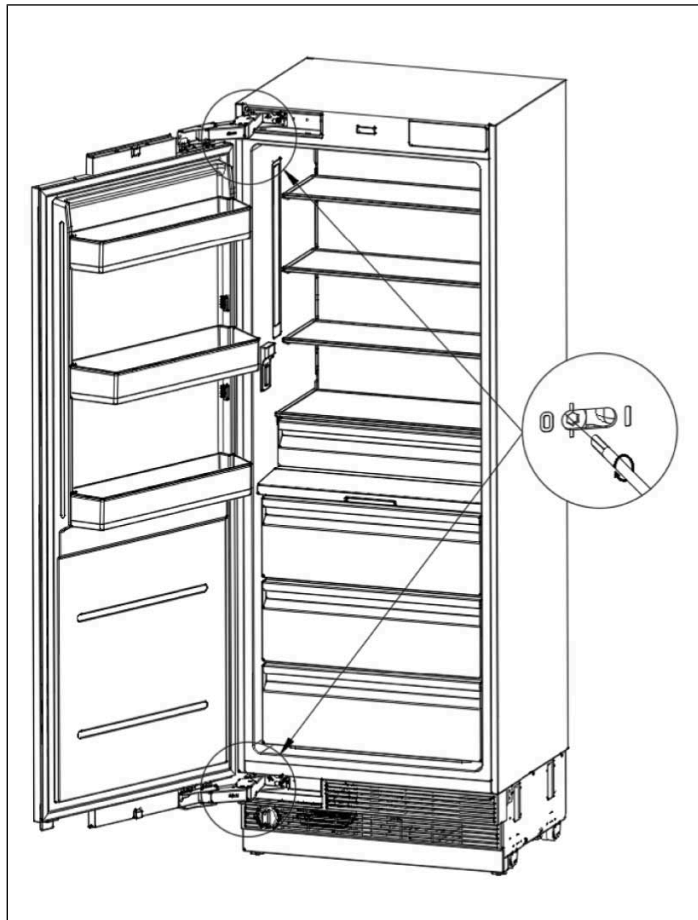


Fig. 6

SOSTITUZIONE DEL FILTRO DELL'ACQUA

Cartuccia filtro acqua

La cartuccia del filtro dell'acqua si trova nella parte inferiore dell'unità.

La cartuccia del filtro dovrebbe essere sostituita ogni 130 giorni, altrimenti il flusso d'acqua all'erogatore o al fabbricatore di ghiaccio diminuisce.

Il simbolo di allarme per la sostituzione del filtro dell'acqua si accende sul display del frigorifero/freezer dopo 130 giorni di utilizzo di ciascun filtro installato.

Sostituzione della cartuccia del filtro dell'acqua

Ruotare il filtro dell'acqua in senso antiorario e rimuoverlo.

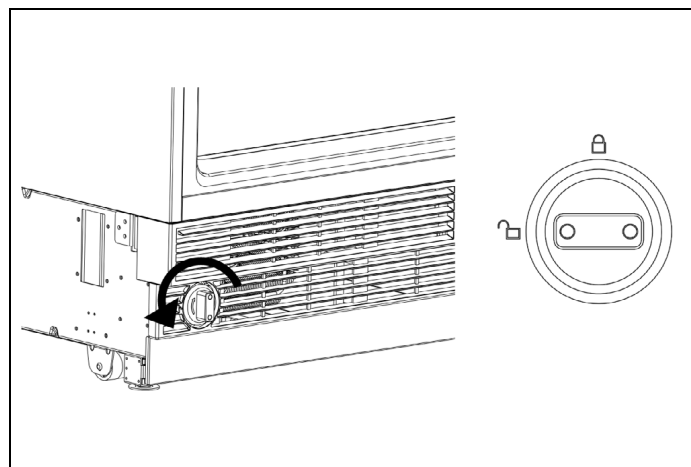


Fig. 7

Inserire il filtro dell'acqua, con le manopole anteriori in posizione orizzontale fino all'arresto, e ruotare in senso orario finché non scatta.

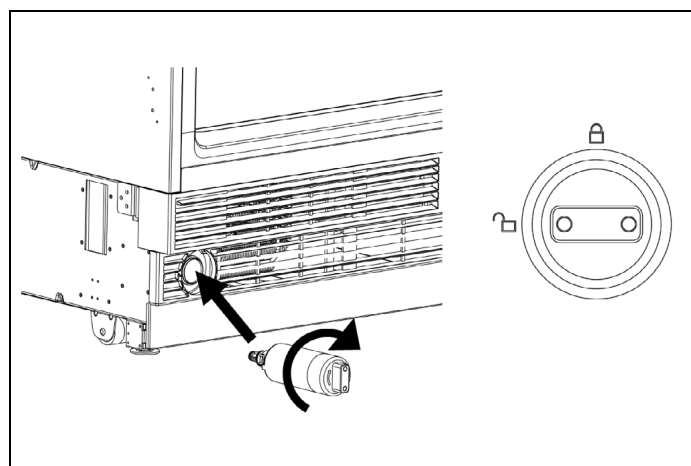


Fig. 8

Dopo aver sostituito la cartuccia del filtro dell'acqua

Nelle colonne del frigorifero, far scorrere 8 litri (2 galloni) dall'erogatore dell'acqua per eliminare l'aria dal sistema. La cartuccia filtrante appena installata zampilla e gocciola acqua finché l'aria non viene rimossa dal sistema. Nelle colonne freezer, l'ice maker potrebbe non produrre immediatamente ghiaccio. I primi cubetti di ghiaccio possono avere una forma irregolare. Scartare il primo contenitore pieno di ghiaccio per consentire lo spurgo dell'aria dal sistema. La cartuccia filtrante appena installata zampilla e gocciola acqua nell'ice maker fino a quando l'aria non viene rimossa dal sistema.

Dopo aver sostituito il filtro dell'acqua, premere il pulsante SELEZIONE per 5 secondi per ripristinare l'allarme.



NOTA

È normale che la prima acqua e il primo ghiaccio erogati appaiano scoloriti. Il colore tornerà normale una volta completate tutte le procedure sopra descritte.

ILLUMINAZIONE

Per consentire una illuminazione interna ottimale le strisce LED illuminano il vano frigorifero dall'alto e set di luci LED illuminano direttamente diverse aree del vano frigorifero, dei cassetti del frigorifero e del cassetto del freezer.

In caso di anomalie e/o guasti del sistema di illuminazione, le riparazioni devono essere eseguite da un tecnico per l'assistenza qualificato.

CONSERVAZIONE DEGLI ALIMENTI

L'apparecchio è dotato di due sistemi di raffreddamento separati, uno per lo scomparto degli alimenti freschi e uno per il vano freezer.

In questo modo si evita che l'aria e gli odori presenti nei due diversi scomparti possano mescolarsi.

Grazie ai due sistemi di raffreddamento separati, la velocità di raffreddamento è molto superiore rispetto a quella di altri frigoriferi. Inoltre, per un ulteriore risparmio energetico, anche lo sbrinamento viene eseguito separatamente.

Raccomandiamo, quindi, di seguire le indicazioni di seguito riportate che vi consentiranno di utilizzare nel modo più razionale e sicuro il vostro frigorifero/freezer e di conservare a lungo e nel miglior modo possibile tutti gli alimenti.

Tenere presente che il cassetto Fresco è l'area che consente la miglior conservazione dei cibi freschi più deperibili, in quanto assicura una temperatura media costante vicina al gelo.

CONSERVAZIONE DI ALIMENTI FRESCHI

- Riporre gli alimenti freschi e non danneggiati. In questo modo la qualità e la freschezza si manterranno più a lungo.
- Nel riporre la carne, il pesce o il pollame nel frigorifero, lasciarli nella confezione originale, a meno che non sia strappata o forata. La manipolazione potrebbe introdurre batteri in questi alimenti.
- Tenere la carne, il pesce ed il pollame crudi separati da altri alimenti ed evitare ogni possibilità di sgocciolio.
- Etichettare e datare le confezioni.
- Lasciare raffreddare gli alimenti e le bevande calde prima di riporli nel vano frigorifero.
- Posizionare correttamente gli alimenti sui ripiani in modo da non ostruire le aperture di circolazione dell'aria all'interno del vano.



NOTA

Nel caso di prodotti pronti e in bottiglia, non superare la data minima di scadenza o di utilizzo indicata dal produttore.

RACCOMANDAZIONI PER LA CONSERVAZIONE DEGLI ALIMENTI CONGELATI

- Gli alimenti surgelati acquistati devono essere conservati secondo le condizioni e la temperatura indicate dal produttore.
- Per mantenere la qualità garantita dal produttore e dal rivenditore di alimenti surgelati, attenersi alle seguenti raccomandazioni:
 - 1) Inserire le confezioni nel freezer il più rapidamente possibile dopo l'acquisto.
 - 2) Assicurarsi che le confezioni siano etichettate e datate.
 - 3) Verificare se la data "Consumare entro" o "Da consumarsi preferibilmente entro" sulla confezione è scaduta o meno.

USO

DISPOSIZIONE DEGLI ALIMENTI

VANO/SCOMPARTO	ALIMENTO
Vassoio per uova	Uova
Ripiani vano frigorifero	Cibo in pentole, piatti coperti e contenitori chiusi
Vaschette su porta	Alimenti o bevande di piccole dimensioni e confezionati (come latte, succhi di frutta, birra e così via)
Cassetto frutta e verdura	Frutta e verdura
Vano "fresco"	Carne e pesce crudi, prodotti di gastronomia (formaggi, affettati, ecc.)

TEMPERATURA DI ESERCIZIO

FREEZER	FRIGORIFERO	NOTE
-18°C (0°F)	4°C (39°F)	Questa è l'impostazione normale consigliata.
-20°C (-4°F)	3°C (37°F)	Queste impostazioni sono consigliate quando la temperatura ambiente è superiore a 30°C (86°F).
Congelamento rapido	4°C (39°F)	Da usare quando si desidera congelare gli alimenti in tempi brevi. Al termine del processo il frigorifero tornerà alla modalità precedente.
-24°C (-11°F)	2°C (35°F)	Utilizzare queste impostazioni se si ritiene che il vano frigorifero non sia sufficientemente freddo a causa del calore ambientale o delle frequenti aperture e chiusure della porta.
-18°C (0°F) o più freddo	Raffreddamento rapido	Utilizzare questa funzione quando il vano frigorifero viene riempito o quando è necessario raffreddare rapidamente gli alimenti. Si consiglia di attivare la funzione di raffreddamento rapido 4-8 ore prima di inserire gli alimenti.

Temperatura di esercizio raccomandata:

Frigorifero: 4°C (39°F), Freezer: -18°C (0°F), Fresco 2°C (35°F).

FUNZIONAMENTO

PANNELLO DISPLAY

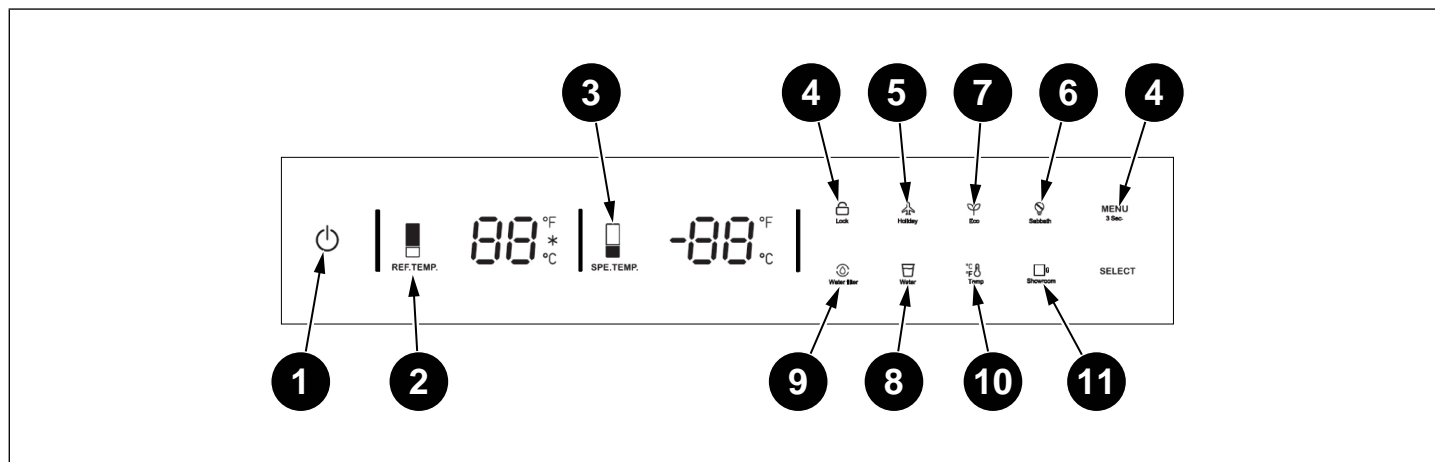


Fig. 9

- 1 Tasto di accensione/spegnimento
- 2 Tasto di regolazione della temperatura del vano frigorifero
- 3 Tasto di regolazione della temperatura del vano "fresco"
- 4 Tasto di selezione Funzione e Abilitazione/Disabilitazione del blocco bambini
- 5 Modalità vacanza
- 6 Modalità Sabbath
- 7 Modalità Eco
- 8 Erogatore di acqua (se applicabile)
- 9 Sostituzione del filtro dell'acqua (se applicabile)
- 10 Selezione gradi centigradi e Fahrenheit
- 11 Modalità Showroom



NOTA

Le figure in questo manuale utente sono schematiche e potrebbero non corrispondere esattamente all'apparecchio. Se il vostro prodotto non ha le parti descritte, le informazioni si applicano ad altri modelli.

TASTO DI ACCENSIONE/SPEGNIMENTO

Serve per l'accensione o lo spegnimento generale dell'apparecchio. Premere il tasto per accendere l'apparecchio; l'apparecchio si accenderà entro 5 secondi. Tenere premuto il tasto di accensione/spegnimento per 2 secondi per spegnere l'apparecchio.

PULSANTE DI SELEZIONE DELLA FUNZIONE E DI ABILITAZIONE/DISABILITAZIONE DEL BLOCCO BAMBINI

Il blocco bambini è una funzione per impedire ai bambini di modificare le impostazioni dell'apparecchio. Tenendo premuto il tasto MENU per 3 secondi è possibile bloccare/sbloccare il pannello di controllo.

Il simbolo del lucchetto si accende sul display quando la funzione di blocco bambini è abilitata.

TASTO DI REGOLAZIONE DELLA TEMPERATURA DEL VANO FRIGORIFERO

Premere il tasto REF. TEMP. per regolare la temperatura da 2°C (35 °F) a 8 °C (46 °F). La temperatura ottimale per lo scomparto degli alimenti freschi è di 4°C (39°F).

La funzione di raffreddamento rapido "Super Cool" può essere attivata continuando a premere il tasto dopo avere raggiunto 2°C (35°F). Sul display si accende il simbolo della "neve" e la funzione viene attivata. Il frigorifero funzionerà a 2°C (35°F) per 24 ore. Dopodiché la funzione verrà disattivata automaticamente e il vano frigorifero tornerà alla sua impostazione di temperatura originale.

NOTA



L'impostazione predefinita della temperatura è di 5°C (41°F) per il vano frigorifero.

TASTO DI REGOLAZIONE DELLA TEMPERATURA DEL VANO "FRESCO"

Premere il tasto SPE. TEMP. per regolare la temperatura del vano "fresco" da -1°C (30 °F) a 5 °C (41 °F).

NOTA



L'impostazione predefinita della temperatura è di 2°C (35°F) per il vano "fresco".

MODALITÀ VACANZA

Premere il tasto MENU fino all'accensione del simbolo "vacanza", quindi premere il tasto SELEZIONA per abilitare la funzione. Quando la funzione modalità Vacanza è abilitata, la temperatura del frigorifero sarà automaticamente impostata a 17°C (62°F). Quando si seleziona la modalità vacanza, il sistema funziona di continuo. Per disattivare la modalità Vacanza, premere il tasto MENU fino all'accensione del simbolo della "vacanza", quindi premere SELEZIONA.

NOTA



Non mettere gli alimenti nello scomparto degli alimenti freschi quando è abilitata la modalità Vacanza.

MODALITÀ SHABBAT

Premere il tasto MENU fino all'accensione del simbolo della modalità Shabbat, quindi premere il tasto SELEZIONA per abilitare la funzione. Quando la funzione modalità Shabbat è abilitata, tutte le luci, i segnali acustici e i display saranno spenti. Per disattivare la modalità Shabbat, premere il tasto MENU fino all'accensione del simbolo della vacanza, quindi premere SELEZIONA.

MODALITÀ ECO

Premere il tasto MENU fino all'accensione del simbolo della modalità Eco, quindi premere il tasto SELEZIONA per abilitare la funzione. Quando la funzione modalità Eco è abilitata, la temperatura del frigorifero sarà automaticamente impostata a 8°C (46°F)- Per disattivare la modalità Eco, premere il tasto MENU fino all'accensione del simbolo Eco, quindi premere SELEZIONA.

FILTRO DELL'ACQUA (SE APPLICABILE)

Premere il tasto MENU fino all'accensione del simbolo del distributore d'acqua, quindi premere il tasto SELEZIONA per abilitare la funzione. Quando la funzione di erogazione acqua è abilitata, è possibile erogare acqua fresca dall'erogatore montato sulla parete interna.

SOSTITUZIONE DEL FILTRO DELL'ACQUA (SE APPLICABILE)

Il simbolo del filtro dell'acqua lampeggia ed emette un segnale acustico per avvisare l'utente di sostituire il filtro dell'acqua. Al termine della sostituzione, premere il tasto SELEZIONA per 5 secondi per resettare. Il tempo di sostituzione impostato è di 180 giorni.

Il frigorifero è dotato di un tappo per l'acqua progettato per sostituire il filtro dell'acqua quando è collegato a un sistema di trattamento dell'acqua centralizzato o quando il filtro non viene utilizzato.

Se il frigorifero è collegato a un sistema di questo tipo, rimuovere il filtro e installare il tappo dell'acqua al suo posto nell'alloggiamento del filtro.

Dopo 180 giorni di utilizzo, un allarme sull'interfaccia utente ricorderà di azzerare il contatore del filtro, anche quando si utilizza la presa d'acqua.

SELEZIONE GRADI CELSIUS E FAHRENHEIT

Per passare dai gradi Celsius (centigradi) ai gradi Fahrenheit e viceversa, premere il tasto MENU fino a quando il simbolo di selezione Celsius e Fahrenheit non si illumina. Premere il tasto SELEZIONA per confermare la propria scelta.

MODALITÀ SHOWROOM

Premere il tasto MENU fino all'accensione del simbolo Showroom, quindi premere il tasto SELEZIONA per abilitare la funzione.

Questa modalità viene utilizzata quando il frigorifero è esposto in un negozio o se si desidera spegnere il raffreddamento e disattivare tutte le altre funzioni, ad eccezione dell'illuminazione interna.



NOTA

Non conservare gli alimenti in modalità Showroom, perché l'apparecchio rimane a temperatura ambiente.

PULIZIA E CURA

La durata del prodotto si allungherà e i problemi riscontrati con maggior frequenza diminuiranno se il prodotto viene regolarmente pulito.



AVVERTENZA

Spegnere il prodotto prima di pulirlo.



AVVERTENZA

Si raccomanda di pulire il condensatore ogni sei mesi indossando dei guanti. Non adoperare aspirapolvere.

- Per la pulizia non utilizzare mai benzina, benzene o sostanze simili.
- Non utilizzare mai strumenti abrasivi o taglienti, sapone, detersivi per la casa, detersivi o cere lucidanti.
- Sciogliere un cucchiaino di carbonato in mezzo litro d'acqua. Immergere un panno nella soluzione e strizzarlo accuratamente. Pulire l'interno del frigorifero con il panno e poi asciugarlo accuratamente.
- Assicurarsi che non entri acqua nell'alloggiamento della lampada o in altre parti elettriche.
- Nel caso in cui il frigorifero non debba essere utilizzato per un periodo di tempo prolungato, scollegarlo dalla presa elettrica, togliere tutti gli alimenti dal suo interno, pulirlo e lasciare la porta socchiusa.
- Controllare regolarmente che le guarnizioni della porta siano pulite. In caso contrario, pulirle.
- Estrarre tutto dall'apparecchio prima di rimuovere la porta e i ripiani superiori del vano frigorifero.
- Rimuovere le vaschette della porta tirandole verso l'alto. Far scorrere i ripiani verso il basso per reinstallarli dopo la pulizia.
- Non utilizzare mai acqua o detersivi a base di cloro per pulire le superfici esterne o le parti cromate del prodotto. Il cloro provoca abrasione sulle superfici metalliche di questo tipo.

PREVENZIONE DEI CATTIVI ODORI

Nella produzione dei nostri frigoriferi non vengono utilizzati materiali che possano causare cattivi odori. Tuttavia, possono sprigionarsi odori sgradevoli se gli alimenti vengono conservati in modo non corretto o se la superficie interna del prodotto non viene pulita come necessario.

Per evitare questo inconveniente, tenere presente quanto segue:

- È importante che il frigorifero sia mantenuto pulito. Residui di cibo, fuoriuscite di liquidi ecc. possono causare cattivi odori. Per questo motivo, pulire il frigorifero ogni 15 giorni con una soluzione di acqua e bicarbonato di sodio. Non usare mai detersivi o saponi.
- Conservare gli alimenti in contenitori chiusi. I microrganismi presenti nei contenitori senza coperchio possono causare odori fastidiosi.
- Non conservare mai nel frigorifero alimenti scaduti o avariati.

PROTEZIONE DELLE SUPERFICI IN PLASTICA

Evitare di mettere nel frigorifero oli in forma liquida o pasti cotti nell'olio all'interno di contenitori non sigillati in quanto possono danneggiare le superfici di plastica dell'apparecchio.

In caso di versamenti o imbrattamenti d'olio sulle superfici in plastica, pulire e sciacquare immediatamente le parti interessate con acqua tiepida.

PULIZIA DELLE SUPERFICI INTERNE

Per pulire le superfici interne e tutte le parti amovibili, lavarle con una soluzione leggera di detersivo per i piatti, acqua e bicarbonato di sodio. Risciacquare e asciugare accuratamente.

Impedire all'acqua di entrare in contatto con i dispositivi di illuminazione e il pannello di controllo.



AVVERTENZA

Non utilizzare aceto, alcool denaturato o altri detersivi a base di alcool su nessuna delle superfici interne.

SUPERFICI ESTERNE IN ACCIAIO INOSSIDABILE

Utilizzare un detersivo per acciaio inossidabile non abrasivo e applicarlo con un panno morbido e privo di pelucchi.

Per la lucidatura, strofinare delicatamente la superficie con un panno in microfibra umido e asciugare con una pelle di daino asciutta.

Strofinare sempre nel senso della grana dell'acciaio inossidabile.

RISOLUZIONE DEI PROBLEMI

Se si nota un malfunzionamento dell'apparecchio, utilizzare questa guida prima di rivolgersi all'assistenza. Questa guida può aiutarvi a risolvere personalmente la maggior parte dei guasti che si verificano durante l'uso quotidiano dell'apparecchio o può fornire informazioni importanti da trasmettere al tecnico dell'assistenza, al fine di garantire una riparazione rapida ed efficace.

L'apparecchio potrebbe non avere alcune delle caratteristiche qui descritte.



AVVERTENZA

Se non è possibile eliminare il problema nonostante si seguano le istruzioni riportate in questa sezione, consultare il proprio rivenditore o il centro di assistenza autorizzato. Non tentare mai di riparare un prodotto malfunzionante da soli.



NOTA

Se l'unità acquistata è stata usata come modello da esposizione, potrebbe essere in una modalità speciale di risparmio energetico chiamata modalità Demo, in cui l'apparecchio sembra essere in funzione (le luci funzionano e vengono visualizzate false temperature) ma non viene effettuato alcun raffreddamento. Se si pensa che l'apparecchio sia in modalità Demo, contattare il rivenditore per la disattivazione di questa funzione.

RISOLUZIONE DEI PROBLEMI

GUIDA ALLA RISOLUZIONE DEI PROBLEMI

GUASTO	POSSIBILI CAUSE	RISOLUZIONE
Suoni di segnalazione acustica	La porta potrebbe essere stata lasciata aperta per troppo tempo.	Chiudere la porta per evitare che la temperatura salga.
Il frigorifero non funziona	L'unità potrebbe non essere collegata alla presa elettrica in modo corretto.	Collegare il prodotto in modo corretto.
	Potrebbe essere saltato il fusibile della presa alla quale è collegato il frigorifero oppure il fusibile principale.	Controllare il fusibile.
	Potrebbe essere saltata la corrente elettrica.	Ripristinare la corrente.
È presente della condensa nel vano frigorifero	L'apparecchio è spento o è impostato in modalità Demo/Showroom.	Accendere l'apparecchio o disattivare la modalità Demo/Showroom.
	La porta potrebbe essere stata aperta/chiusa troppo di frequente.	Evitare di aprire/chiusare la porta troppo di frequente.
	L'ambiente circostante potrebbe essere eccessivamente umido.	Non installare il frigorifero in ambienti con un livello di umidità molto elevato.
	Nel frigorifero potrebbero essere stati messi alimenti contenenti liquidi in contenitori senza coperchio.	Non mettere nel frigorifero alimenti contenenti liquidi in contenitori non sigillati.
Formazione di ghiaccio o brina all'interno del frigorifero, del freezer o dello scomparto Fresco.	La porta del frigorifero potrebbe essere stata lasciata socchiusa.	Non tenere aperte le porte del frigorifero per un tempo prolungato.
	La porta potrebbe essere stata lasciata aperta per un lungo periodo di tempo o potrebbe non chiudersi correttamente.	Se le porte non chiudono perfettamente contattate l'installatore.
	Il frigorifero potrebbe non essere collegato alla presa.	Assicurarsi che la spina sia adatta alla presa.
Il compressore non funziona	Le impostazioni della temperatura potrebbero essere errate.	Selezionare il valore di temperatura corretto.
	Possibile mancanza di corrente.	La protezione termica del compressore spegne il compressore in caso di improvvisa interruzione della corrente o quando l'apparecchio viene scollegato e quindi ricollegato alla presa elettrica, in quanto la pressione dei refrigerante contenuto nel sistema di raffreddamento del frigorifero non si è ancora bilanciata. Il frigorifero riprenderà a funzionare normalmente dopo circa 6 minuti dal ripristino della corrente. Se il frigorifero non riprende a funzionare dopo che è trascorso questo lasso di tempo, rivolgersi al proprio Centro di assistenza autorizzato.
	Le prestazioni del frigorifero possono variare in base alle variazioni della temperatura ambiente. Questo è normale e non è un difetto.	Non è necessario alcun intervento. Tener presente che nelle giornate molto calde e con temperature elevate nel locale è normale che il compressore rimanga in funzione per periodi prolungati.

RISOLUZIONE DEI PROBLEMI

GUASTO	POSSIBILI CAUSE	RISOLUZIONE
Vibrazioni o rumore	Il pavimento potrebbe non essere stabile o livellato.	Se il frigorifero trema quando viene spostato leggermente, regolare i piedini per bilanciarlo. Assicurarsi che il pavimento sia in piano e in grado di sostenere il peso del frigorifero.
	Gli oggetti appoggiati sopra il frigorifero possono causare rumore.	Rimuovere gli oggetti appoggiati sopra il frigorifero.
Il frigorifero emette rumori simili a versamenti o spruzzi di liquido	I flussi di liquido e gas fanno parte del normale funzionamento del frigorifero. Questo è normale e non è un difetto.	Non è necessario alcun intervento.
Il frigorifero emette un fischio/sibilo	Per raffreddare il frigorifero vengono utilizzati dei ventilatori. Questo è normale e non è un difetto.	Non è necessario alcun intervento.
Accumulo di condensa sulle pareti interne del frigorifero	Il clima caldo e umido aumenta la formazione di ghiaccio e condensa. Questo è normale e non è un difetto.	Non è necessario alcun intervento.
	Le porte potrebbero essere state aperte di frequente o lasciate socchiusse per un periodo prolungato.	Evitare di aprire le porte troppo di frequente. Chiudere le porte se sono aperte.
	La porta potrebbe essere stata lasciata socchiusa.	Chiudere completamente la porta.
Accumulo di condensa sulle superfici esterne o tra le porte del frigorifero	L'aria ambientale potrebbe essere umida. Questa è abbastanza normale se il tempo o il clima è umido.	La condensa scompare quando il livello di umidità diminuisce.
	Potrebbe accumularsi della condensa esternamente nella sezione tra le due porte del frigorifero se questo viene utilizzato di rado. Questo è normale. La condensa scompare con l'uso frequente.	
Presenza di cattivo odore all'interno del frigorifero	Potrebbe non essere stata eseguita una pulizia regolare.	Pulire l'interno del frigorifero utilizzando una spugna, acqua tiepida oppure una soluzione di acqua e bicarbonato di sodio.
	Alcuni contenitori o materiali di imballaggio possono causare odori sgradevoli.	Utilizzare un altro contenitore oppure materiali di imballaggio di un'altra marca.
	Nel frigorifero potrebbero essere stati messi alimenti in contenitori senza coperchio.	Conservare gli alimenti in contenitori chiusi. I microrganismi presenti nei contenitori senza coperchio possono causare odori fastidiosi.
	È possibile che alcuni alimenti siano stati lasciati nel frigorifero per lunghi periodi di tempo.	Togliere dal frigorifero gli alimenti scaduti o avariati.
La porta non si chiude	Imballaggi alimentari potrebbero impedire la chiusura della porta.	Riposizionare gli imballaggi alimentari che ostruiscono la porta.
	Il frigorifero potrebbe essere instabile sul pavimento.	Regolare i piedini del frigorifero in modo da renderlo stabile.
	Il pavimento potrebbe non essere stabile o in piano.	Assicurarsi che il pavimento sia in piano e in grado di sostenere il peso del frigorifero.
La porta si apre con difficoltà	L'apparecchiatura è progettata per permetterne la chiusura ermetica. Quando la porta è chiusa, si può creare una condizione di vuoto.	In tal caso, prima di aprire lo sportello, è necessario attendere qualche secondo affinché la pressione si riequilibri.

RISOLUZIONE DEI PROBLEMI

GUASTO	POSSIBILI CAUSE	RISOLUZIONE
I cassetti sono bloccati	È possibile che gli alimenti tocchino la parete superiore del cassetto.	Risistemare gli alimenti all'interno del cassetto.
L'apparecchiatura sta raffreddando ma le luci e il display non funzionano	È possibile che l'apparecchio sia stato accidentalmente messo in modalità Sabbath.	Disattivare la funzione seguendo le istruzioni contenute in questo manuale.



DICHIARAZIONE DI GARANZIA CONVENZIONALE

Di seguito si riportano le condizioni di garanzia convenzionale (la «Garanzia Convenzionale») riconosciuta al Consumatore da Bertazzoni S. p.a., con sede legale a Guastalla (RE), Via Palazzina n. 6/8 (il «Produttore»), nel rispetto del D.Lgs. 6 settembre 2005 n. 206, come modificato dal D.Lgs. 4 novembre 2021 n. 170.

ART. 1 - OGGETTO DELLA GARANZIA

La Garanzia Convenzionale opera per i difetti di conformità del bene oggetto di cessione, identificato nel documento fiscale a cui la presente dichiarazione viene allegata (il «Bene»), **esistenti al momento della consegna del Bene e imputabili ad azioni od omissioni del Produttore.**

Ai fini dell'applicazione della Garanzia Convenzionale, si presume che i difetti di conformità manifestatisi entro un anno dalla consegna del Bene esistessero già a tale data, salvo prova contraria o incompatibilità di essi con la natura del Bene e/o con la natura del difetto di conformità. Per i successivi 12 (dodici) mesi di vigenza della Garanzia Convenzionale è onere del Consumatore provare l'esistenza del difetto di conformità del Bene al momento della consegna.

In caso di difetto di conformità, il Consumatore ha diritto di richiedere, gratuitamente, il ripristino della conformità del Bene mediante riparazione o sostituzione, purché il rimedio prescelto non sia impossibile o, rispetto al rimedio alternativo, non imponga al Produttore costi sproporzionati. In alternativa, il Consumatore può richiedere la riduzione proporzionale del prezzo o la risoluzione del contratto.

ART. 2 - DURATA E CONDIZIONI DI VALIDITÀ

La durata della Garanzia Convenzionale è di 24 (ventiquattro) mesi a decorrere dalla data di consegna del Bene.

Gli eventuali interventi di riparazione o sostituzione del Bene e/o di suoi componenti accessori non estendono la durata originaria della Garanzia Convenzionale.

Ai fini della sua validità, il presente certificato deve essere conservato unitamente al documento fiscale (ad es.: documento di trasporto, fattura, scontrino fiscale) riportante i dati del venditore, la data di consegna e gli estremi identificativi del Bene ed il prezzo di cessione. In caso di intervento, entrambi i documenti (Garanzia Convenzionale e documento fiscale) devono essere mostrati al personale tecnico.

La Garanzia Convenzionale opera a condizione che:

- il Bene sia utilizzato per scopi domestici;
- il Bene sia utilizzato all'interno del territorio nazionale;
- tutte le operazioni di installazione e collegamento del Bene alle reti di distribuzione dell'energia elettrica e del gas siano effettuate seguendo scrupolosamente le indicazioni riportate nel relativo libretto d'uso, manutenzione e installazione (il «**Libretto**»), fornito unitamente al Bene stesso;
- tutte le operazioni di utilizzo del Bene, così come la sua manutenzione periodica, avvengano secondo le istruzioni, prescrizioni e indicazioni riportate nel Libretto;
- qualunque intervento di riparazione del Bene sia eseguito da personale dei centri di assistenza autorizzati dal Produttore (il «**Personale Autorizzato**») e con ricambi esclusivamente originali.

Per conoscere il centro assistenza di zona, il Consumatore potrà contattare il numero verde **800 927 987**.

DICHIARAZIONE DI GARANZIA CONVENZIONALE

ART. 3 - CLAUSOLE DI ESCLUSIONE

La Garanzia Convenzionale non opera:

- se il Bene venga utilizzato nell'ambito di attività imprenditoriali o professionali (quali, a titolo esemplificativo, ristoranti, pizzerie, bar, lavanderie, hotel, b&b, uffici, comunità, scuole, etc.);
- se il Bene venga utilizzato al di fuori del territorio nazionale;
- qualora il Personale Autorizzato accerti che la difformità del Bene non dipenda da un suo difetto di conformità, ma da un fattore esterno, come, a titolo meramente esemplificativo, la portata insufficiente degli impianti elettrici e gas, l'errata installazione e/o lo scorretto allacciamento agli impianti di alimentazione o le incomplete regolazioni previste dal Libretto;
- qualora il Personale Autorizzato accerti che la difformità del Bene dipenda da negligenza e/o incapacità d'uso e/o cattiva manutenzione da parte del Consumatore, il quale non si sia attenuto scrupolosamente alle istruzioni e raccomandazioni riportate nel Libretto;
- in caso di danni al Bene causati da eventi atmosferici e naturali (fulmini, inondazioni, incendi, terremoti, etc.), atti di vandalismo o, comunque, circostanze non riconducibili ad un difetto di conformità.

La Garanzia Convenzionale non copre:

- eventuali interventi volti a ripristinare danni al Bene causati da incuria, rottura accidentale, manomissione e/o danneggiamento durante il trasporto, se effettuato dal Consumatore o dal venditore;
- eventuali interventi eseguiti da personale non autorizzato;
- eventuali interventi per dimostrazioni di funzionamento, controlli e manutenzioni periodiche;
- eventuali difetti del Bene di cui il Consumatore è stato messo a conoscenza all'atto della vendita e/o che quest'ultimo non poteva ragionevolmente ignorare.

In tutti questi casi, i costi del relativo intervento e delle eventuali parti di ricambio restano a carico del Consumatore.

La Garanzia Convenzionale non copre inoltre, salvo che si tratti di difetti di conformità, gli interventi di riparazione e/o sostituzione di parti mobili ed asportabili, manopole, maniglie, lampade, parti in vetro e smaltate, parti in gomma, eventuali accessori, materiali di consumo e comunque tutti i componenti del Bene sui quali il Consumatore può intervenire durante l'utilizzo o per effettuare la manutenzione del Bene.

ART. 4 - LIMITAZIONI DELLA RESPONSABILITÀ DEL PRODUTTORE

Bertazzoni S.p.a. declina ogni responsabilità per eventuali danni che possano derivare, in modo diretto o indiretto, a persone, cose ed animali per la mancata osservanza delle prescrizioni, indicazioni, raccomandazioni e istruzioni riportate nel Libretto.

ART. 5 - PROCEDURA PER ATTIVARE LA GARANZIA CONVENZIONALE

Ove riscontri un mal funzionamento del Bene durante il periodo di validità della Garanzia Convenzionale, il Consumatore dovrà contattare il servizio assistenza al numero verde unico in tutta Italia **800 927 987**, fornendo il documento fiscale attestante la data di consegna e gli estremi identificativi del Bene (ved. art. 2), nonché il numero di matricola/seriale presente sul Libretto (targhetta adesiva di colore argento) oppure sulla targa adesiva posta direttamente sul Bene.

Il servizio assistenza lo porrà in contatto col centro di assistenza tecnica autorizzato a lui più vicino.

In ogni caso, qualora il Bene presenti anomalie o mal funzionamenti, prima di contattare il servizio assistenza, si consiglia di effettuare le verifiche ed i controlli indicati nel Libretto.

**LA PRESENTE GARANZIA
CONVENZIONALE NON PREGIUDICA I
DIRITTI ED I RIMEDI PER I DIFETTI DI
CONFORMITÀ CHE LA LEGGE RICONOSCE
AL CONSUMATORE NEI CONFRONTI DEL
VENDITORE.**

Bertazzoni S.p.A.

BERICHT VAN ONZE VOORZITTER

Beste nieuwe eigenaar van een Bertazzoni-apparaat,

Ik wil u bedanken voor uw keuze van een van onze prachtige producten voor uw huis.

Mijn familie is in 1882 begonnen met de productie van keukenapparatuur in Italië, en heeft een reputatie opgebouwd dankzij de kwaliteit van de techniek en de passie voor heerlijk voedsel.

Vandaag de dag onderscheiden onze producten zich door hun unieke mix van authentiek Italiaans design en superieure apparaattechnologie. Het is onze missie om producten te maken die perfect functioneren en vreugde brengen aan hun eigenaren.

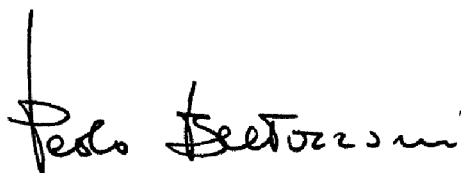
Door mooie producten te maken reageren we op de vraag van onze klanten naar een fraai design. Door onze apparaten veelzijdig en gebruiksvriendelijk te maken, wordt koken met Bertazzoni een waar genot.

Deze handleiding helpt u uw Bertazzoni-apparaat op de veiligste en meest effectieve manier te gebruiken en te onderhouden, zodat het u de komende jaren uiterst tevreden zal stellen.

Geniet ervan!

Paolo Bertazzoni

Voorzitter

A handwritten signature in black ink that reads "Paolo Bertazzoni". The signature is written in a cursive, slightly stylized font.

GELDIGHEID VAN GEBRUIKERSHANDLEIDING

Deze gebruikershandleiding is geldig voor de volgende productcodes:

- RLD60S5FPNS
- RLD75S5FPNS

INHOUDSOPGAVE

ALGEMENE INFORMATIE	55
INFORMATIE OVER DE HANDLEIDING	55
VEILIGHEIDSINFORMATIE	55
RISICO'S VOOR KINDEREN EN KWETSBAAR PERSONEN VERMIJDEN	55
RISICO OP ELEKTRISCHE SCHOKKEN	56
EXPLOSIEGEVAAR	56
GEVAAR VOOR LETSEL	56
VERSTIKKINGSGEVAAR	56
GEVAAR VOOR VOEDSELVERGIFTIGING	56
BRANDGEVAAR/WAARSCHUWING VOOR ISOBUTAAN	57
ZORG VOOR HET MILIEU	57
ENERGIEBESPARING	58
SPECIFICATIES	59
BESCHRIJVING VAN HET APPARAAT	59
TECHNISCHE SPECIFICATIES	59
GEBRUIKERS- EN ONDERHOUDSHANDLEIDING	60
GEBRUIK	60
VOOR HET BEGIN	60
INTERNE LAY-OUT (POSITIONERING, AFSTELLING EN VERWIJDERING VAN ONDERDELEN)	60
HET WATERFILTER VERVANGEN	63
VERLICHTING	64
BEWAREN VAN VOEDING	64
WERKING	66
REINIGING EN VERZORGING	69
ONAANGENAME GEUREN VOORKOMEN	69
BESCHERMING VAN KUNSTSTOF OPPERVLAKKEN	69
REINIGING VAN DE BINNENKANT	69
ROESTVRIJSTALEN BUITENKANT	69
PROBLEEM OPLOSSEN	70
GIDS VOOR PROBLEEMOPLOSSING	71
GARANTIE EN SERVICE	74

ALGEMENE INFORMATIE

INFORMATIE OVER DE HANDLEIDING

Deze instructies zijn geldig voor verschillende soorten apparaten en dus kunnen ze beschrijvingen of functies bevatten die uw apparaat niet bevat of ondersteunt.

De afbeeldingen en illustraties in dit document verwijzen naar diverse modellen en kunnen enigszins afwijken van het gekochte product.

De fabrikant aanvaardt geen aansprakelijkheid voor persoonlijk letsel of materiële schade veroorzaakt door een onjuiste installatie of een oneigenlijk gebruik van het apparaat.

De fabrikant behoudt zich het recht voor om de verschillende modellen naar noodzaak te wijzigen om te voldoen aan de geldende technische voorschriften.

Neem in geval van klachten contact op met de klantenservice. Lees de aanwijzingen van deze handleiding aandachtig door voordat u het apparaat installeert en/of gebruikt. Op deze manier leert u uw nieuwe apparaat kennen. Houd dit document onder handbereik, zodat u het op elk moment kunt raadplegen, en overhandig het aan eventuele volgende eigenaren.

Lees de veiligheidsberichten in de inleiding van deze handleiding en besteed de nodige aandacht aan veiligheidsaanwijzingen zoals: "Opgelet", "Waarschuwing" en "Gevaar" die in de tekst worden aangegeven.



GEVAAR

Dit symbool duidt op een situatie die gevaarlijk is voor u en voor anderen. Lees de informatie zorgvuldig door en zorg ervoor dat u de oorzaken van potentieel gevaarlijke of dodelijke ongevallen perfect hebt begrepen.



WAARSCHUWING

Dit symbool duidt op veiligheidsinformatie. Lees de informatie zorgvuldig door en zorg ervoor dat u de oorzaken van potentieel gevaarlijke ongevallen perfect hebt begrepen.



OPGELET

Dit symbool duidt op een procedure die de structuur of de onderdelen van het apparaat in gevaar kan brengen. Besteed bijzondere aandacht aan deze procedures.



OPMERKING

Dit symbool markeert methoden of procedures voor het correcte gebruik van het apparaat.

Het model, de verkoopcode en het serienummer zijn op het typeplaatje gedrukt. Raadpleeg het deel Specificaties van deze handleiding voor de plaats van het typeplaatje.



OPMERKING

We adviseren om de gegevens en de serienummers van het apparaat te noteren zodat u ze, indien nodig, onmiddellijk binnen handbereik heeft.



OPMERKING

Vermeld de informatie van het typeplaatje om de aftersales- en onderdelenservices te verbeteren. Voor garantiedoeleinden heeft u tevens de installatiedatum en de naam van uw erkende dealer van Bertazzoni nodig.



WAARSCHUWING

Volg de standaard voorzorgsmaatregelen wanneer u het apparaat gebruikt. Lees alle instructies door voordat het apparaat wordt gebruikt. Bewaar deze instructies en overhandig ze aan elke volgende gebruiker.

VEILIGHEIDSINFORMATIE

Dit product is bedoeld voor huishoudelijk gebruik. Het mag op geen enkele andere wijze worden gebruikt dan waarvoor het is bestemd. Het mag alleen worden gebruikt voor het bewaren van voedsel.

De fabrikant is niet aansprakelijk voor schade die voortvloeit uit onjuist gebruik of onjuist vervoer.

Originele reserveonderdelen zijn 10 jaar na de aankoopdatum van het product leverbaar.

RISICO'S VOOR KINDEREN EN KWETSBARE PERSONEN VERMIJDEN

- Dit apparaat is niet bedoeld voor gebruik door personen (inclusief kinderen) met verminderde lichamelijke of zintuiglijke vermogens of die gebrek aan ervaring en kennis hebben, tenzij iemand die verantwoordelijk is voor hun veiligheid toezicht op hen houdt of hen instructies heeft gegeven over het gebruik van het apparaat.
- Houd toezicht op kinderen om te voorkomen dat ze met het apparaat gaan spelen.
- De reiniging en verzorging mogen niet worden uitgevoerd door kinderen, tenzij ze onder toezicht staan van een volwassene.

ALGEMENE INFORMATIE

RISICO OP ELEKTRISCHE SCHOKKEN

- Zorg ervoor dat de stekker uit het stopcontact is gehaald tijdens installatie, onderhoud, reiniging en reparaties.
- Zorg er bij de installatie van het apparaat voor dat de voedingskabel niet afgekneld of beschadigd raakt.
- Als de voedingskabel van dit apparaat beschadigd is, moet het vervangen worden door de fabrikant, de klantendienst of een gelijkaardig gekwalificeerd persoon. Verkeerde installaties en reparaties kunnen een aanzienlijk risico voor de gebruiker vormen.
- Gebruik geen adapter. Gebruik geen verlengsnoer.
- Steek de stekker niet in het stopcontact als het stopcontact los zit. Trek niet aan de kabel om de stekker van het apparaat uit het stopcontact te trekken.
- Haal de stekker uit het stopcontact als u tijdens het gebruik een storing ondervindt. Als het apparaat niet goed werkt, moet het buiten gebruik geplaatst worden tot het door een erkend assistentiecentrum is gerepareerd. De fabrikant kan niet aansprakelijk worden gesteld voor schade die voortvloeit uit procedures die door onbevoegde personen zijn uitgevoerd.
- Was het apparaat nooit door er water op te gieten, te gooien of te spuiten. Raak de stekker nooit met natte handen aan.
- Gebruik nooit stoom of stoomreinigers om de koelkast schoon te maken of te ontdooien. Als stoom met de elektrische onderdelen van de koelkast in aanraking komt, kan een kortsluiting of elektrocutie worden veroorzaakt.
- Sluit uw koelkast nooit aan op een energiebesparend apparaat. Dergelijke systemen zijn schadelijk voor uw apparaat.

EXPLOSIEGEVAAR

- Gebruik geen enkel elektrisch apparaat binnenin de voedselopslagcompartimenten.
- Gebruik geen mechanische apparaten of andere middelen om het ontdooiproces te versnellen, gebruik alleen degene die door de fabrikant worden aanbevolen.
- Bewaar geen explosieve stoffen, zoals spuitbussen met een ontvlambaar drijfgas, in dit apparaat.
- Flessen met sterk alcoholische dranken moeten zeer goed gesloten en verticaal opgeslagen worden.

GEVAAR VOOR LETSEL

- Plaats geen koolzuurhoudende dranken in blikjes of glazen houders in het vriescompartiment. Ze kunnen ontploffen.
- Gebruik nooit koelkastonderdelen zoals de deur of laden om tegen te leunen of als opstapje. Hierdoor kan het apparaat kantelen of beschadigen.
- Ga niet op het apparaat zitten en plaats er geen zware voorwerpen op.
- Ga niet op de deur of op open lades zitten of leunen. Neem de deur of handgreep niet vast om het apparaat te verplaatsen.
- Zet de koelkast niet te vol. Voorwerpen in de koelkast kunnen vallen wanneer de deur wordt geopend, wat letsel of materiële schade kan veroorzaken.
- Zorg ervoor dat u uw handen of een ander lichaamsdeel niet in bewegende delen van de koelkast (bijv. automatische ijsmaker) steekt.

VERSTIKKINGSGEVAAR

- De verpakkingsmaterialen kunnen een gevaar voor kinderen vormen. Laat kinderen niet met plastic zakjes, plastic folie of polystyreen spelen.
- Als er een slot op de deur van het apparaat zit, moet de sleutel buiten bereik van kinderen worden bewaard.

GEVAAR VOOR VOEDSELVERGIFTIGING

- Plaats rauw vlees en vis in geschikte houders in de koelkast om te voorkomen dat ze met ander voedsel in aanraking kunnen komen of erover lekken.
- Laat de deur niet lang open staan om te vermijden dat de temperatuur in de compartimenten van het apparaat aanzienlijk stijgt.
- Reinig regelmatig de oppervlakken die in aanraking kunnen komen met voedsel en de toegankelijke drainagesystemen.
- Schakel de koelkast uit, laat hem ontdooien, reinig en droog hem en laat de deur op een kier staan om te vermijden dat schimmel in het apparaat kan groeien als de koelkast lange tijd niet zal worden gebruikt.

ALGEMENE INFORMATIE

BRANDGEVAAR/WAARSCHUWING VOOR ISOBUTAAN



Het koelcircuit van het apparaat bevat isobutaan (R600a). Dit is een natuurlijke gas met een hoog niveau van milieuvriendelijkheid dat echter brandbaar is.

Zorg er tijdens het transport en de installatie van het apparaat voor dat de onderdelen van het koelcircuit niet beschadigd raken.

Als het koelcircuit beschadigd raakt:

- vermijd open vuur en ontstekingsbronnen.
- ventileer grondig de kamer waarin het apparaat staat.



OPMERKING

Blijf de buurt van het gas als het apparaat beschadigd is of als u een gaslek waarneemt. Het kan brandwonden door koude veroorzaken als het in aanraking komt met de huid.



OPMERKING

Het gastype dat gebruikt wordt in dit product staat op het gegevenslabel dat is aangebracht op de binnenwand aan de linkerkant van de koelkast.



OPGELET

- Beschadig gebieden waar koelmiddel circuleert niet met boor- of snijgereedschap. Als de gaskanalen in de verdamper, de verlengstukken van de slangen of de oppervlakcoatings zijn doorboord, kan het koelmiddel naar buiten worden geblazen, wat huidirritatie en oogletsel kan veroorzaken. Gebruik geen puntige of scherpe werktuigen om rijp of ijslagen te verwijderen. De koelmiddelleidingen kunnen daardoor beschadigd raken. Lekkend koelmiddel kan oogletsel veroorzaken of ontbranden.
- Probeer brand/vlammen nooit te blussen met water, maar schakel het apparaat uit en dek de vlammen af, bijv. met een blusdeken.
- Zorg ervoor dat de ventilatieopeningen in de koelkast niet worden afgedekt of geblokkeerd door voorwerpen.

ZORG VOOR HET MILIEU



Dit apparaat voldoet aan de Europese RoHS-richtlijn 2012/19/EU.

Dit apparaat is gemarkeerd in overeenstemming met de Europese richtlijn 2012/19/EG inzake afgedankte elektrische en elektronische apparatuur (AEEA).

Deze richtlijn bevat de voorschriften voor de inzameling en recycling van afgedankte apparatuur in de gehele Europese Unie.



Het symbool van de doorgestreepte vuilnisbak op het product geeft aan dat Afgedankte Elektrische en Elektronische Apparatuur (AEEA) niet verwijderd mag worden met gewoon stedelijk afval, maar gescheiden moet worden ingezameld, zodat ze op speciale manier verwerkt kan worden met het oog op het hergebruik of de specifieke behandeling voor de veilige verwijdering en verwerking van eventuele stoffen die schadelijk zijn voor het milieu en voor het scheiden van grondstoffen die gerecycled kunnen worden.

Derhalve moet AEEA worden ingeleverd bij recyclingcentra die beheerd worden door gemeentelijke instanties of afvalverwerkingsbedrijven. Verder kan de AEEA bij de aankoop van een nieuw apparaat worden afgeleverd aan de detailhandelaar, die verplicht is om het gratis terug te nemen (terugname "1 tegen 1"). "Zeer kleine" AEEA (maximale afmeting 25 cm) kan gratis bij de detailhandelaars worden ingeleverd, ook als er geen nieuw apparaat wordt aangeschaft (terugname "0 tegen 1" - dit is echter alleen verplicht voor winkels met een verkoopoppervlak boven de 400 m²).

Besteed speciale aandacht aan de correcte afvalverwijderingsprocedures voor alle verpakkingsmaterialen. Voor de afvalverwijdering:

- Sluit de voedingsspanning af.
- Haal de stekker uit het stopcontact en snijd de voedingskabel af.
- Voorkom dat het koelcircuit tijdens de afvalverwijdering beschadigd raakt.

Het apparaat dat u hebt aangeschaft voldoet aan de RoHS-richtlijn van de EU (2011/65/EU). Het bevat geen materialen die in de richtlijn als schadelijk of verboden worden aangemerkt. Dit apparaat bevat geen schadelijke stoffen voor de ozonlaag, noch in het koelcircuit en net zomin in de isolatie.

ALGEMENE INFORMATIE

In overeenstemming met de nationale milieuvorschriften zijn onze apparaten verpakt met niet-vervuilende en recyclebare materialen:

- Verwijder de verpakking op een milieuvriendelijke wijze.
- Vraag uw dealer om de plaatselijke autoriteiten informatie over de momenteel geldende afvalverwijdering in te winnen.

Voor controles in verband met EcoDesign moeten de installatie en opstelling van het apparaat in overeenstemming zijn met de norm EN 62552.

- Ventilatie-eisen, afmetingen en minimumafstand tot de achterwand staan vermeld in de installatiehandleiding.
- Neem contact op met de fabrikant voor meer informatie.

ENERGIEBESPARING

Een correct gebruik van het apparaat, de correcte verpakking van levensmiddelen, een constante temperatuur en hygiëne van levensmiddelen zijn allen factoren die de opslagkwaliteit beïnvloeden.



WAARSCHUWING

Het is gevaarlijk uw koelkast aan te sluiten op een energiebesparingsstelsel, omdat dit uw apparaat kan beschadigen.

- Laat de deuren van uw koelkast niet lange tijd open staan.
- Zet geen warm voedsel of warme dranken in de koelkast.
- Zet de koelkast niet te vol. De koelcapaciteit neemt af als de luchtcirculatie in de koelkast wordt belemmerd.
- Zet de koelkast niet in direct zonlicht. Installeer het product op een afstand van ten minste 30 cm (12") van warmtebronnen zoals kookplaten, ovens, verwarmingen en kachels en ten minste 5 cm (2") van elektrische ovens. Als dit niet mogelijk is, gebruik dan een geschikt isolatiesysteem.
- Bewaar uw etenswaren in gesloten houders in de koelkast.
- U kunt de legplaat of de lade uit het vriesvak verwijderen om het vriesvak met de maximale hoeveelheid voedsel te vullen. Het opgegeven energieverbruik van het apparaat heeft betrekking op de situatie met de legplaat of de lade van het vriesvak verwijderd en met de koelkast gevuld met de maximale hoeveelheid voedsel. Het kan geen kwaad om een legplaat of lade te gebruiken op basis van de vorm en grootte van het voedsel dat moet worden ingevroren.
- Het ontdooien van bevroren etenswaren in de koelkast bespaart energie en handhaaft de kwaliteit van de etenswaren.
- Reinig de condensor (indien bereikbaar) regelmatig om te vermijden dat de efficiëntie van het apparaat afneemt.



OPMERKING

De ruimte waar uw koelkast zich bevindt moet een temperatuur van ten minste 10°C (50°F) hebben. Het gebruik van de koelkast in koelere omstandigheden wordt niet aanbevolen, met het oog op de efficiëntie.



OPMERKING

De binnenkant van uw koelkast moet perfect schoon worden gehouden.

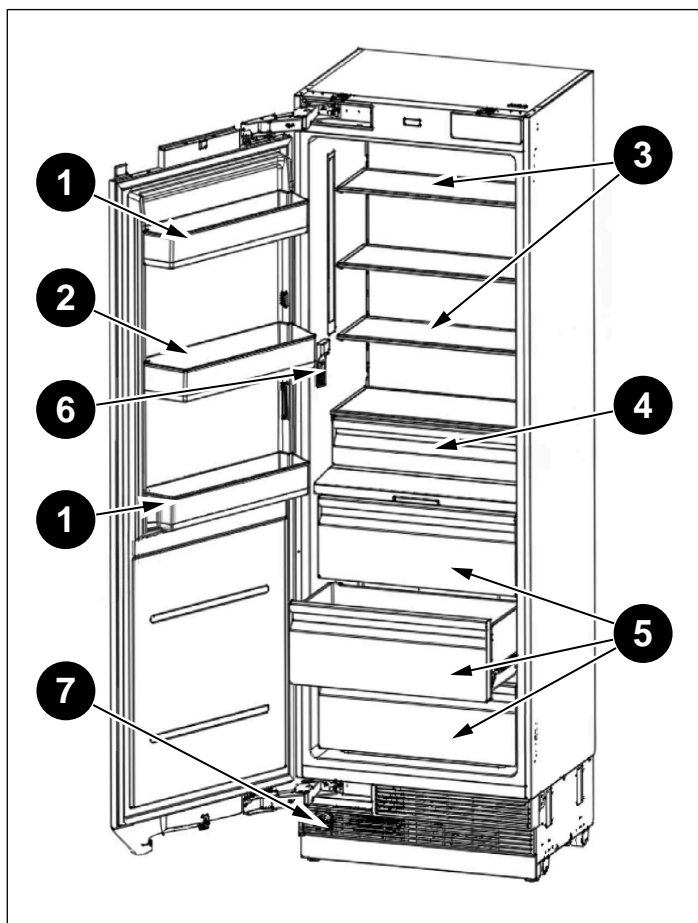


OPMERKING

Als twee koelkasten naast elkaar moeten worden geïnstalleerd, moet er ten minste 4 cm (1 1/2 ") afstand tussen de apparaten worden gehouden.

SPECIFICATIES

BESCHRIJVING VAN HET APPARAAT



Afb. 1

- 1 Deurbakken
- 2 Gallon deurbak
- 3 Schappen
- 4 Soft-close kleine lade
- 5 Soft-close grote laden ("Fresco"-ruimte)
- 6 Waterdispenser
- 7 Waterfilter

OPMERKING



De afbeeldingen in deze gebruikershandleiding zijn schematisch en komen mogelijk niet exact overeen met het product. Als uw product de beschreven onderdelen niet heeft, is de informatie van toepassing op andere modellen.

TECHNISCHE SPECIFICATIES

ELEMENT	BESCHRIJVING
Type stekker	SCHUKO
Stopcontact	220 V – 240 V
Beschermende geleider	50 Hz
Zekering	15 A
Waterdruk (voor apparaten met ijsmaker en/of waterdispenser)	Min. 0,17 Mpa (1,7 bar, 25 psi) – Max. 0,55 Mpa (5,5 bar, 80 psi)

Koelmiddel, volume en overige technische specificaties kunnen op het typeplaatje worden gevonden.

GEBRUIK

VOOR HET BEGIN

Controleer voordat u het apparaat gebruikt of alle voorbereidingen zijn getroffen volgens de instructies in het gedeelte **VEILIGHEIDSINFORMATIE** in de installatiehandleiding.

- Maak de binnenkant van de koelkast schoon zoals aanbevolen in het gedeelte **REINIGING EN VERZORGING**. Zorg ervoor dat de binnenkant droog is voordat u de koelkast inschakelt.
- Steek de stekker van de koelkast in een geaard stopcontact. De binnerverlichting gaat branden wanneer de koelkastdeur wordt geopend.
- Laat de koelkast 6 uur lopen voordat u er voedsel in plaatst en open de deur niet als dit niet nodig is.



OPMERKING

U hoort een geluid wanneer de compressor start. De vloeistoffen en gassen die in het afgedichte koelsysteem zitten, kunnen ook geluid veroorzaken, zelfs als de compressor niet draait. Dat is heel normaal.



OPMERKING

De randen aan de voorkant van de koelkast kunnen warm aanvoelen. Dit is normaal. Deze gebieden zijn zo ontworpen dat ze warm zijn om condensatie te voorkomen.

Tijdens de werking kunt de volgende normale geluiden horen:

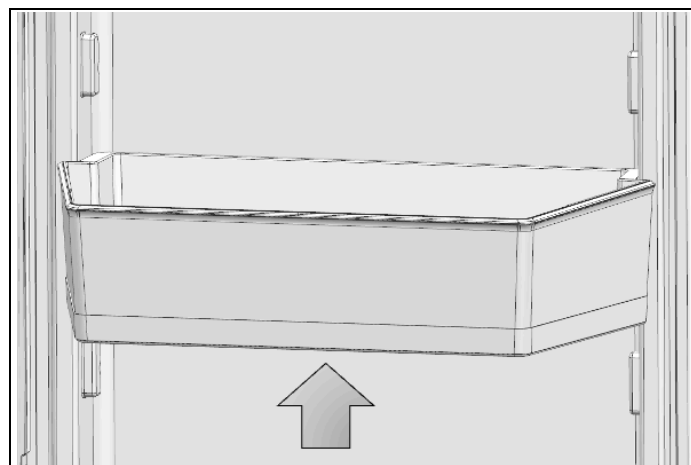
- Gezoem: De koelkast werkt. De ventilator van het luchtcirculatiesysteem is in werking.
- Pruttelende, zoemende, borrelende geluiden: koelmiddel stroomt door de leidingen.
- Klikkend geluid: motor schakelt in of uit. Magneetventiel op de wateraansluiting gaat open/dicht.
- Rommelend geluid: ijsblokjes vallen in de ijsblokjesbak.

Het apparaat wordt aangedreven door twee onafhankelijke compressoren. Het is daarom normaal dat een van de twee compressoren altijd werkt.

INTERNE LAY-OUT (POSITIONERING, AFSTELLING EN VERWIJDERING VAN ONDERDELEN)

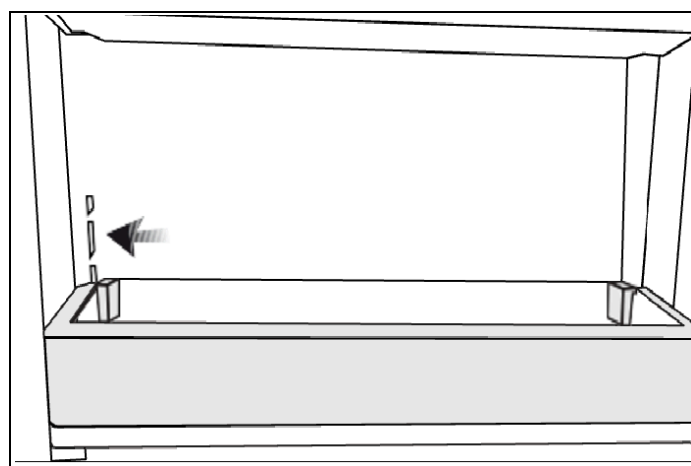
DEURBAKKEN

Als u een deurbak wilt verwijderen, houdt u hem aan de onderkant vast, tilt u hem op en schuift u hem naar buiten. Zie de afbeelding.



Afb. 2

Om de hoogte van een deuropening aan te passen, houdt u de knoppen aan de rechter- en linkerkant ingedrukt om de bak op de gewenste hoogte te brengen zonder hem te hoeven verwijderen. Om de verstelbare deurbak te verwijderen, houdt u de knoppen ingedrukt, tilt u de bak volledig op en trekt u hem naar u toe. Plaats de lade terug op de klep en druk op de knoppen om deze omlaag te schuiven. Zie de afbeelding.



Afb. 3

GEBRUIK

GLAZEN LEGPLATEN

De hoogte van de glazen legplaten kan handmatig worden aangepast met behulp van de steunen achterin. Houd een legplaat vanaf de onderkant vast, til het voorste deel op zodat hij schuin komt; de lipjes op de steunen komen los en de glazen legplaat kan omhoog en omlaag worden verplaatst.

Een legplaat verwijderen

- Houd de voorkant van de legplaat vast, til hem voorzichtig omhoog en schuif hem naar buiten.

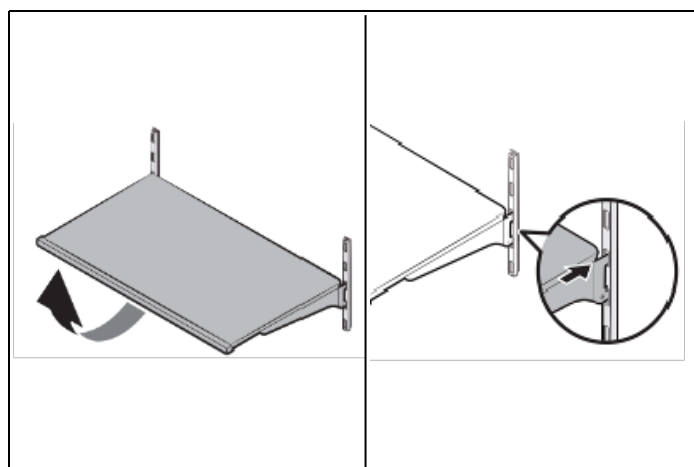
Terugplaatsen

- Houd de legplaat schuin met de voorkant omhoog en steek vervolgens de bovenste haak in de uitsparing voor de bovenste legplaat die u wilt gebruiken.
- Laat de voorkant voorzichtig zakken.



OPMERKING

Wees voorzichtig bij het hanteren van glazen legplaten om te voorkomen dat het glas breekt of de binnenkant van de koelkast bekrast raakt.



Afb. 4



WAARSCHUWING

De deur sluit mogelijk niet als de deurbakken zich op dezelfde hoogte bevinden als de glazen legplaten. Controleer na het plaatsen van de legplaten of de deur goed sluit.



WAARSCHUWING

Glazen legplaten moeten worden geleegd voordat ze worden verplaatst.



WAARSCHUWING

U moet wachten tot de glazen legplaten op kamertemperatuur zijn voordat u ze in water onderdompelt voor reiniging.

GEBRUIK

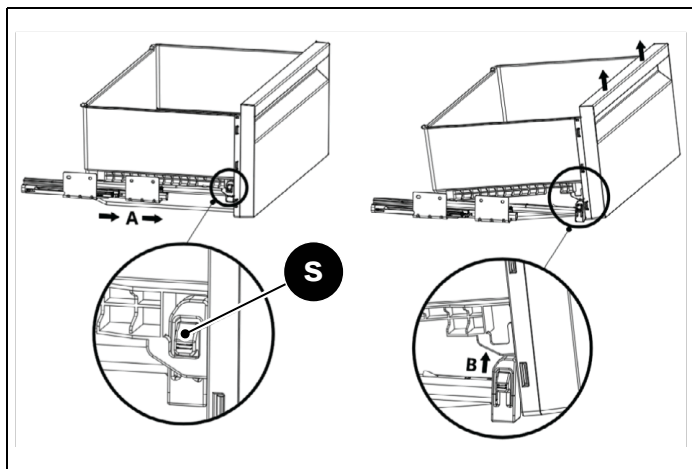
LADEN

Een lade verwijderen

- Trek de lade naar buiten tot hij niet verder kan.
- Maak het voorste gedeelte van de lade voorzichtig los en trek hem helemaal naar buiten.

Een lade plaatsen

- Trek de rails zo ver mogelijk naar voren.
- Lijn de openingen in de achterste hoeken van de lade uit met de onderdelen aan de achterkant van de rails.
- Duw de lade langzaam omlaag totdat u voelt dat deze op de rails aan de voorzijde vastklikt.



Afb. 5

- **S** – Veiligheidslipje



OPMERKING

Zorg ervoor dat de onderdelen aan de rechter- en linkerkant van de rails stevig vastzitten wanneer u de lade installeert.



OPMERKING

Laat groenten nooit in de plastic zakken in de lade liggen. Als ze in hun plastic zakken gehouden worden, zullen ze in korte tijd bederven.

De laden houden het vocht van uw groenten vast, zodat u ze langer kunt bewaren zonder dat ze in hun zak hoeven te blijven.

Als u liever hebt dat de groenten om hygiënische redenen niet met elkaar in contact komen, kunt u geperforeerd papier, schuim of andere soortgelijke materialen gebruiken in plaats van plastic zakken.

Bij het plaatsen van de groenten in de laden moet rekening worden gehouden met het specifieke gewicht ervan. Zware en harde groenten moeten onder aan de lade worden geplaatst en lichte en zachte groenten moeten er bovenop worden gehouden.

Peren, kiwi's, tomaten, komkommer, abrikozen, perziken, broccoli, sla, kool, peterselie en spinazie zijn groenten en fruit die ethyleengas uitstoten. Leg ze niet samen met andere groenten en fruit in dezelfde groentelade. Het ethyleengas dat door deze voedingsmiddelen wordt uitgestoten zorgt ervoor dat andere groenten en fruit sneller rijpen en in een kortere periode bederven.

Haal de lade niet uit de koelkast tenzij dit echt nodig is.

FRESCO-RUIMTE

Deze sectie is bedoeld voor de opslag van voedingsmiddelen zoals vis, vlees en groenten, evenals fijne eetwaren zoals kaas en vleeswaren. U kunt de temperatuur in deze ruimte regelen om ze beter te bewaren



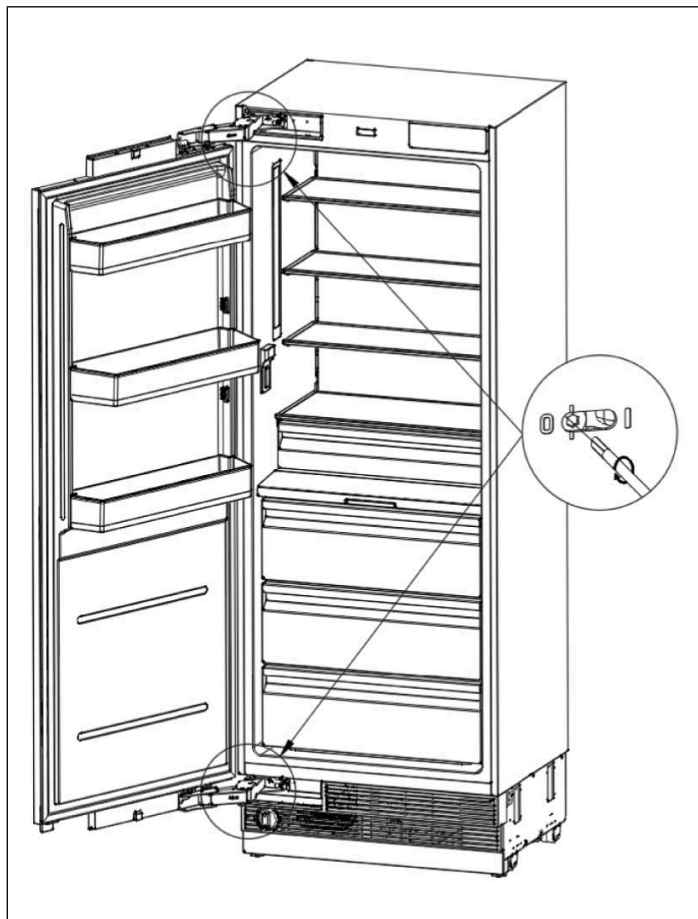
OPMERKING

De procedures voor het verwijderen/ installeren van de Fresco-ruimte zijn dezelfde als die voor de koelkastladen.

GEBRUIK

AFSTELLING VAN HET SCHARNIER

Bij het afstellen van de bevestiging van het scharnier kan met behulp van een elektrische schroevendraaier de bevestiging van de onderste en bovenste deurscharnieren van het compartiment voor vers voedsel worden aangepast. Breng de stelschroef van het scharnier in stand "1" vanuit stand "0".



Afb. 6

HET WATERFILTER VERVANGEN

Waterfilterpatroon

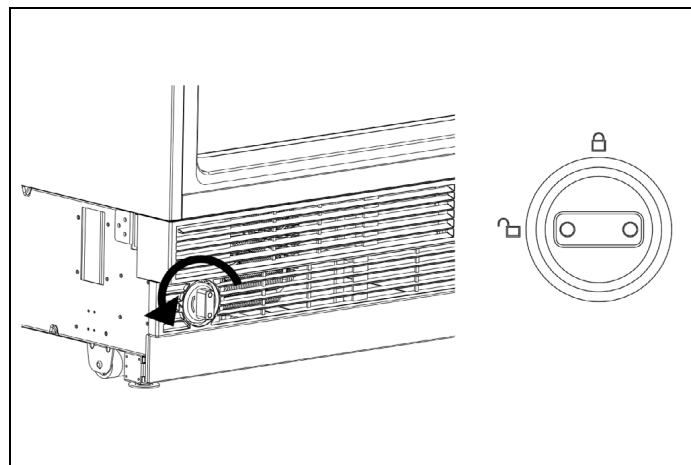
De waterfilterpatroon is onderaan in het apparaat aangebracht.

De filterpatroon moet elke 130 dagen worden vervangen, anders neemt de waterstroom naar de waterdispenser of de ijsmaker af.

Het alarmsymbool van waterfiltervervangning gaat op het display van de koelkast/vriezer branden na 130 dagen gebruik van elk geïnstalleerd waterfilter.

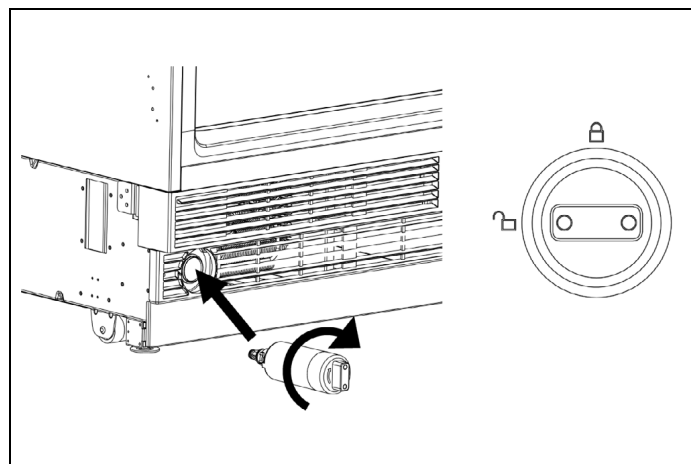
De waterfilterpatroon vervangen

Draai het waterfilter linksom en verwijder het.



Afb. 7

Breng het waterfilter met de knobbels aan de voorkant horizontaal zo ver mogelijk aan en draai het rechtsom tot het vastklikt.



Afb. 8

GEBRUIK

Na de vervanging van de waterfilterpatroon

Tap bij kolomkoelkasten 8 liter (2 gallon) water af met de waterdispenser om het systeem te ontlichten. Water gutst en druipt uit een nieuw geïnstalleerde filterpatroon tot het systeem volledig is ontlicht. Het kan zijn dat de ijsmaker van kolomvriezers niet onmiddellijk ijs produceert. De eerste ijsblokjes kunnen een onregelmatige vorm hebben. Gooi de eerste volle lading ijs weg om het systeem te ontlichten. Water gutst en druipt uit een nieuw geïnstalleerde filterpatroon in de ijsmaker tot het systeem volledig is ontlicht.

Reset het alarm door de knop SELECT 5 seconden ingedrukt te houden nadat het waterfilter vervangen is.



OPMERKING

Het is normaal dat het eerste water en de eerste ijsblokjes uit de dispensers verkleurd zijn. De kleur wordt normaal zodra alle bovenstaande procedures verricht zijn.

VERLICHTING

Voor de optimale interne verlichting zijn ledstrips voorzien bovenaan het koelcompartiment en reeksen ledlampjes die rechtstreeks de verschillende zones van het koelcompartiment, de koellades en vrieslade verlichten.

Bij storing en/of slijtage van het verlichtingssysteem moet de reparatie uitgevoerd worden door een gekwalificeerde servicetechnicus.

BEWAREN VAN VOEDING

Uw apparaat is voorzien van twee aparte koelsystemen, één voor het compartiment voor vers voedsel en één voor het vriesvak.

Op deze manier worden de lucht en de geur in het compartiment voor vers voedsel en het compartiment voor bevroren voedsel niet gemengd.

Dankzij deze twee afzonderlijke koelsystemen is de afkoelsnelheid veel hoger dan die van andere koelkasten. Bovendien kan er extra energie worden bespaard, omdat ontdooien afzonderlijk wordt uitgevoerd.

Wij raden u aan de onderstaande instructies op te volgen, zodat u uw koelkast/diepvriezer op de veiligste en meest doeltreffende manier kunt gebruiken, om uw levensmiddelen zo lang mogelijk optimaal te bewaren.

Vergeet niet dat de Fresco-lade geschikt is voor de bewaring van de meest delicate verse levensmiddelen, aangezien deze lade een constante gemiddelde temperatuur garandeert die dicht bij het vriespunt ligt.

BEWAREN VAN VERS VOEDSEL

- Bewaar het voedsel zolang het vers en intact is. De kwaliteit en versheid zullen langer behouden blijven.
- Wanneer u vlees, vis of gevogelte in de koelkast plaatst, laat ze dan in de originele verpakking, tenzij de verpakking gescheurd of geperforeerd is. Herhaaldelijk hanteren kan tot gevolg hebben dat er bacteriën in deze voedingsmiddelen terechtkomen.
- Bewaar rauw vlees, vis en gevogelte apart van ander voedsel en vermijd mogelijk lekken of druppelen.
- Etiketteer de verpakkingen en schrijf de datum erop.
- Laat warme dranken en voedsel afkoelen voordat u ze in het koelkastcompartiment plaatst.
- Plaats de levensmiddelen correct op de schappen, op een wijze dat de luchtcirculatie-openingen in het compartiment niet belemmerd worden.



OPMERKING

Overschrijd de uiterste verkoopdatum of houdbaarheidsdatum die door de fabrikant gespecificeerd is niet in het geval van gemaksproducten of producten in flessen.

AANBEVELINGEN VOOR HET BEWAREN VAN DIEPVRIESVOEDSEL

- Diepgevroren etenswaren die u koopt, moeten worden bewaard onder de omstandigheden en op de temperatuur die door de fabrikant van de etenswaren is bepaald.
- Houd rekening met de volgende aanbevelingen om ervoor te zorgen dat de hoge kwaliteit die van diepvriesproducten die wordt bereikt door de fabrikant en de detailhandel wordt gehandhaafd:
 - 1) Zet of leg de verpakkingen zo snel mogelijk na aankoop in de vriezer.
 - 2) Zorg ervoor dat de verpakkingen zijn voorzien van een etiket en een datum.
 - 3) Controleer of de uiterste gebruiksdatum of de aanbevolen houdbaarheidsdatum op de verpakking niet verstreken is.

GEBRUIK

INDELING VAN DE VOEDINGSMIDDELEN

COMPARTIMENT	VOEDSEL
Eierbakje	Eieren
Schappen voor het koelvak	Voedsel in pannen, bedekte borden en gesloten houders
Deurbakken	Kleine en verpakte voedingsmiddelen of dranken (melk, vruchtensap, bier, enz.)
Groentelade	Groenten en fruit
Fresco-ruimte	Rauw vlees, vis en delicatessen (kaas, vleeswaren, enz.)

BEDRIJFSTEMPERATUUR

VRIEZER	KOELKAST	OPMERKINGEN
-18°C (0°F)	4°C (39°F)	Dit is de aanbevolen normale instelling.
-20°C (-4°F)	3°C (37°F)	Deze instellingen worden aanbevolen wanneer de omgevingstemperatuur hoger is dan 30°C (86°F).
Super Freeze	4°C (39°F)	Gebruik dit wanneer u voedsel in korte tijd wilt invriezen. Uw apparaat keert terug naar de vorige modus wanneer het proces is afgelopen.
-24°C (-11°F)	2°C (35°F)	Gebruik deze instellingen als u denkt dat het koelvak niet koud genoeg is vanwege warme omgevingsomstandigheden of het frequent openen en sluiten van de deur.
-18°C (0°F) of kouder	Super Cool	Gebruik deze functie wanneer u veel dingen tegelijk in de koelkast zet of wanneer u uw voedsel snel moet afkoelen. Aanbevolen wordt om de Super Cool-functie 4-8 uur te activeren voordat u het voedsel toevoegt.

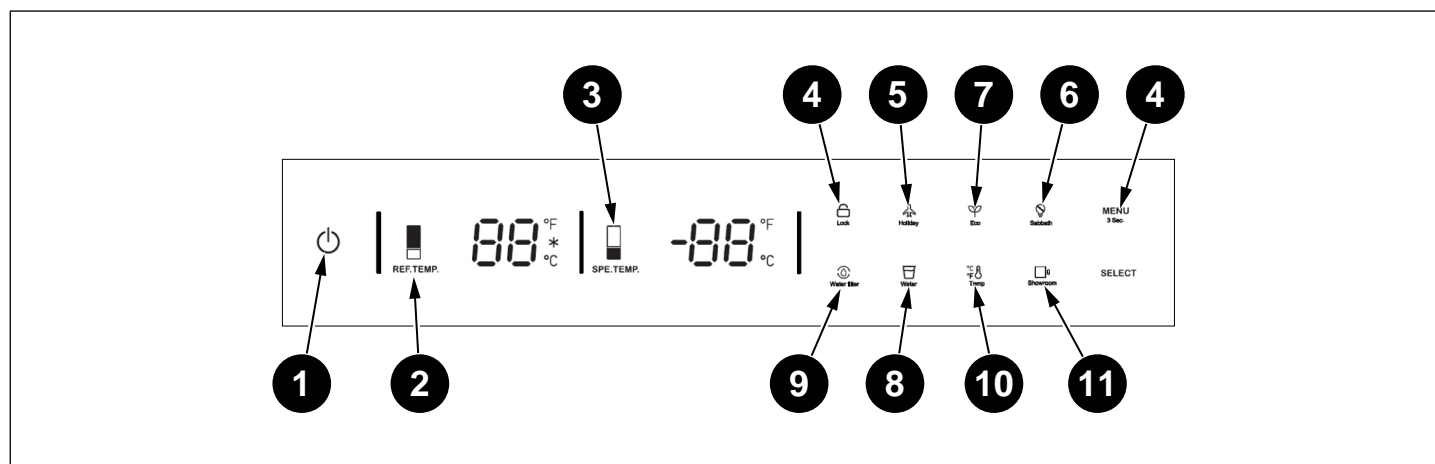
Aanbevolen bedrijfstemperatuur:

Koelkast: 4°C (39°F), Vriezer: -18°C (0°F), Fresco 2°C (35°F).

GEBRUIK

WERKING

DISPLAYPANEEL



Afb. 9

- 1 Aan/Uit-knop
- 2 Knop voor temperatuurregeling van het koelvak
- 3 Knop voor temperatuurregeling van de fresco-ruimte
- 4 Knop voor functie selectie en voor het in-/uitschakelen van het kinderslot
- 5 Vakantiemodus
- 6 Sabbatmodus
- 7 Eco-modus
- 8 Waterdispenser (indien van toepassing)
- 9 Vervanging waterfilter (indien van toepassing)
- 10 Selectie Celsius en Fahrenheit
- 11 Showroom-modus



OPMERKING

De afbeeldingen in deze gebruikershandleiding zijn schematisch en komen mogelijk niet exact overeen met het product. Als uw product de beschreven onderdelen niet heeft, is de informatie van toepassing op andere modellen.

AAN/UIT-KNOP

Dient om het hele apparaat in of uit te schakelen. Druk op de knop om het apparaat in te schakelen; na 5 seconden gaat hij aan. Houd de aan/uit-knop 2 seconden ingedrukt om het uit te schakelen.

KNOP VOOR FUNCTIESELECTIE EN VOOR HET IN- EN UITSCHAKELLEN VAN HET KINDERSLOT

Het kinderslot voorkomt dat kinderen de instellingen van het apparaat veranderen. Houd de knop MENU 3 seconden ingedrukt om het bedieningspaneel te vergrendelen/ontgrendelen.

Als het kinderslot is ingeschakeld, licht het vergrendelingssymbool op het display op.

GEBRUIK

KNOP VOOR TEMPERATUURREGELING VAN HET KOELVAK

Druk op de knop REF. TEMP. knop om de temperatuur in te stellen binnen een bereik tussen 2°C (35°F) en 8°C (46°F). De beste temperatuur voor het compartiment voor vers voedsel is 4°C (39°F).

De Super Cool-functie kan worden geactiveerd door te blijven drukken nadat 2°C (35°F) bereikt is. Het sneeuwsymbool op het display licht op en de functie wordt geactiveerd. De koelkast werkt 24 uur op 2°C (35°F). Daarna wordt de functie automatisch beëindigd en keert het koelvak terug naar de oorspronkelijke temperatuurstand.



OPMERKING

De standaard temperatuurstand is 5°C (41°F) voor het koelvak.

KNOP VOOR TEMPERATUURREGELING VAN DE FRESCO-RUIMTE

Druk op de knop SPE. TEMP. om de temperatuur van de Fresco-ruimte in te stellen binnen een bereik tussen -1°C (30°F) en 5°C (41°F).



OPMERKING

De standaard temperatuurstand is 2°C (35°F) voor de Fresco-ruimte.

VAKANTIEMODUS

Druk op de knop MENU totdat het vakantiesymbool oplicht en druk vervolgens op de knop SELECT om de functie in te schakelen. Wanneer de vakantiefunctie is ingeschakeld, wordt de koelkasttemperatuur automatisch ingesteld op 17°C (62°F). Als de vakantiemodus is geselecteerd, werkt het systeem continu. Als u de vakantiemodus wilt uitschakelen, drukt u op de knop MENU totdat het vakantiesymbool oplicht en drukt u vervolgens op SELECT.



OPMERKING

Bewaar geen etenswaren in het compartiment voor vers voedsel als de vakantiemodus is ingeschakeld.

SABBAT-MODUS

Druk op de knop MENU totdat het Sabbat-symbool oplicht en druk vervolgens op de knop SELECT om de functie in te schakelen. Wanneer de Sabbat-functie is ingeschakeld, worden alle lampjes, zoemers en displaypanelen uitgeschakeld. Als u de Sabbat-modus wilt uitschakelen, drukt u op de knop MENU totdat het Sabbat-symbool oplicht en drukt u vervolgens op SELECT.

ECO-MODUS

Druk op de knop MENU totdat het Eco-symbool oplicht en druk vervolgens op de knop SELECT om de functie in te schakelen. Wanneer de Eco-modus is ingeschakeld, wordt de koelkasttemperatuur automatisch ingesteld op 8°C (46°F). Als u de Eco-modus wilt uitschakelen, drukt u op de knop MENU totdat het Eco-symbool oplicht en drukt u vervolgens op SELECT.

WATERDISPENSER (INDIEN VAN TOEPASSING)

Druk op de knop MENU totdat het waterdispensersymbool oplicht en druk vervolgens op de knop SELECT om de functie in te schakelen. Wanneer de waterdispensiefunctie is ingeschakeld, kan vers water uit de dispenser aan de binnenkant worden getapt.

VERVANGING WATERFILTER (INDIEN VAN TOEPASSING)

Het waterfiltersymbool knippert en er klinkt een piepton om de gebruiker te waarschuwen dat het waterfilter moet worden vervangen. Nadat de vervanging is voltooid, houdt u de knop SELECT 5 seconden ingedrukt om de instellingen te resetten. De ingestelde vervangingstijd is 180 dagen.

Bij levering is de koelkast uitgerust met een waterplug die bedoeld is om het waterfilter te vervangen als het verbonden is met een centraal waterbehandelingssysteem of als het filter niet wordt gebruikt.

Als uw koelkast met een dergelijk systeem verbonden is, verwijdert u het filter en brengt u de waterplug op zijn plaats in de filterbehuizing aan.

Na 180 dagen gebruik, herinnert een alarm in de gebruikersinterface eraan dat de filterteller moet worden gereset, ook als de waterplug wordt gebruikt.

SELECTIE CELSIUS EN FAHRENHEIT

Als u wilt omschakelen tussen Celsius en Fahrenheit, drukt u op de MENU-knop totdat het selectiesymbool van Celsius en Fahrenheit oplicht. Druk op de knop SELECT om uw keuze te bevestigen.

GEBRUIK

SHOWROOM-MODUS

Druk op de knop MENU totdat het showroom-symbool oplicht en druk vervolgens op de knop SELECT om de functie in te schakelen.

Deze modus wordt gebruikt wanneer de koelkast is ingeschakeld in een winkel of wanneer u de koeling wilt uitschakelen en alle andere functies, met uitzondering van de interne verlichting, deactiveren.



OPMERKING

Bewaar geen voedsel in de showroom-modus omdat het apparaat op kamertemperatuur blijft.

REINIGING EN VERZORGING

De levensduur van het product wordt verlengd en vaak voorkomende problemen treden minder vaak op als het product regelmatig wordt gereinigd.



WAARSCHUWING

Schakel het product uit voordat u het schoonmaakt.



WAARSCHUWING

Het wordt aanbevolen de condensor om de zes maanden schoon te maken, met handschoenen aan. Gebruik geen stofzuiger.

- Gebruik nooit benzine, benzeen of soortgelijke stoffen voor reinigingsdoeleinden.
- Gebruik nooit een scherp of schurend instrument, zeep, schoonmaakmiddel, wasmiddel of waspoetsmiddel voor het reinigen.
- Los één theelepel natriumbicarbonaat op in een halve liter water. Week een doek in de oplossing en wring deze grondig uit. Veeg de binnenkant van de koelkast schoon met deze doek en droog deze grondig af.
- Zorg ervoor dat er geen water in de lampbehuizing of andere elektrische onderdelen binnendringt.
- Als u de koelkast langere tijd niet gebruikt, haal dan de stekker uit het stopcontact, verwijder al het voedsel van binnen, maak het schoon en laat de deur open op een kier.
- Controleer regelmatig of de deurafdichtingen schoon zijn. Maak ze eventueel schoon.
- Haal alles uit het apparaat voordat u de deur en de bovenste schappen van de koelkast verwijdert.
- Verwijder de deurbakken door ze omhoog te trekken. Schuif de legplaten naar beneden om ze na het reinigen terug te plaatsen.
- Gebruik nooit water of reinigingsmiddelen die chloor bevatten om de buitenkant of de chromen onderdelen van het product te reinigen. Chloor veroorzaakt schuring op metalen oppervlakken van dit type.

ONAANGENAME GEUREN VOORKOMEN

Bij de productie van onze koelkasten worden geen materialen gebruikt die geuren kunnen veroorzaken. Er kunnen echter geuren vrijkomen van voedsel dat niet goed wordt bewaard of als de binnenkant van het apparaat niet naar behoren schoon gehouden wordt.

Neem de volgende tips in acht om dit probleem te voorkomen:

- Het is belangrijk dat de koelkast schoon wordt gehouden. Voedselresten, gemorste vloeistoffen, enz. kunnen geuren veroorzaken. Reinig daarom uw koelkast om de 15 dagen met een oplossing van water met natriumbicarbonaat. Gebruik nooit reinigingsmiddelen of zeep.
- Bewaar uw voedsel in gesloten houders. Micro-organismen die uit onbedekte houders ontsnappen, kunnen onaangename geuren veroorzaken.
- Bewaar nooit verlopen of bedorven voedsel in de koelkast.

BESCHERMING VAN KUNSTSTOF OPPERVLAKKEN

Zet geen onafgesloten houders met olie in vloeibare vorm of maaltijden die in olie zijn gekookt in de koelkast, want deze de plastic oppervlakken van de koelkast kunnen beschadigen.

Als er olie op de kunststof oppervlakken is gemorst of gesmeerd, reinig en spoel de betreffende gebieden dan onmiddellijk met warm water.

REINIGING VAN DE BINNENKANT

Reinig de binnenkant en alle verwijderbare onderdelen door ze af te wassen met een milde oplossing van afwasmiddel, water en natriumbicarbonaat. Spoel en droog grondig af.

Zorg ervoor dat het water niet in contact komt met de verlichting of het bedieningspaneel.



WAARSCHUWING

Gebruik geen azijn, reinigingsalcohol of reinigingsmiddel op alcoholbasis op de oppervlakken van de binnenkant.

ROESTVRIJSTALEN BUITENKANT

Gebruik een niet-schurend reinigingsmiddel voor roestvrij staal; breng het aan met een zachte, pluisvrije doek.

Veeg voor het polijsten het oppervlak voorzichtig schoon met een vochtige microvezeldoek en gebruik daarna een zeemlap.

Wrijf altijd in de richting van de korrel van het roestvrij staal.

PROBLEMEN OPLOSSEN

Raadpleeg deze gids als u storingen in uw apparaat vaststelt, voordat u met de service contact opneemt. Deze gids kan u helpen om persoonlijk de meeste storingen, die tijdens het dagelijkse gebruik van het apparaat optreden, op te lossen of belangrijke informatie verstrekken die u voor een snelle en doeltreffende reparatie aan de servicetechnicus kunt doorgeven.

Uw apparaat heeft mogelijk niet alle functies die hier worden beschreven.



WAARSCHUWING

Als u het probleem niet kunt oplossen, zelfs niet door de instructies in dit gedeelte te volgen, neem dan contact op met uw dealer of erkende assistentiecentrum. Probeer nooit zelf een defect apparaat te repareren.



OPMERKING

Als het door u gekochte apparaat als showroom-model gebruikt is, kan het mogelijk in een speciale energiebesparingsmodus staan, die Demomodus genoemd wordt, waarin het apparaat lijkt te werken (de verlichting werkt en er worden onechte temperaturen weergegeven), maar er vindt geen koeling plaats. Als u vermoedt dat uw apparaat in de Demomodus staat, neem dan contact op met uw verkooppunt zodat ze u kunnen helpen deze instelling uit te schakelen.

PROBLEMEN OPLOSSEN

GIDS VOOR PROBLEEMOPLOSSING

STORING	MOGELIJKE OORZAAK	OPLOSSING
Piepend geluid	De deur heeft mogelijk te lang opengestaan.	Sluit de deur om te vermijden dat de temperatuur stijgt.
De koelkast werkt niet	Mogelijk is de stekker van het apparaat niet goed aangesloten.	Sluit het product goed aan.
	De zekering van de aansluiting waarop de koelkast is aangesloten of de hoofdzekering is doorgebrand.	Controleer de zekering.
	Stroomstoring.	Herstel de elektrische voeding.
Er zit condens in het koelvak	Het apparaat is uitgeschakeld of in de demo-/showroom-modus geplaatst.	Schakel het apparaat in of activeer de demo-/showroom-modus.
	De deur is mogelijk vaak open en dicht gedaan.	Open/sluit de koelkastdeur niet regelmatig.
	De omgeving kan te vochtig zijn.	Installeer de koelkast niet op een plaats met een zeer hoge vochtigheidsgraad.
	Voedingsmiddelen die vloeistoffen bevatten, kunnen in de koelkast zijn geplaatst in houders zonder deksels.	Zet geen voedingsmiddelen die vloeistoffen bevatten in de koelkast in onafgesloten houders.
IJs of rijp opgebouwd in de koelkast, vriezer of Fresco-ruimte	De koelkastdeur is mogelijk op een kier gelaten.	Houd de deuren van uw koelkast niet lang open.
	De deur heeft mogelijk te lang opengestaan of is niet goed gesloten.	Als de deuren niet volledig dichtgaan, neem dan contact op met uw installateur.
	De koelkast is mogelijk niet aangesloten op een stopcontact.	Ga na of de stekker in het stopcontact past.
De compressor werkt niet	De temperatuurinstellingen zijn mogelijk onjuist.	Selecteer de juiste temperatuurwaarde.
	Mogelijke stroomstoring.	De thermische overbelastingsbeveiliging van de compressor schakelt de compressor uit in geval van een plotselinge stroomstoring of als het apparaat wordt losgekoppeld en weer wordt aangesloten, omdat de druk van het koelmiddel in het koelsysteem van de koelkast nog niet in evenwicht is. Ongeveer 6 minuten na het herstel van de elektrische voeding begint de koelkast weer te werken. Neem contact op met uw erkende assistentiecentrum als na verloop van deze tijd de normale werking van de koelkast niet is hersteld.
Het geluid neemt toe wanneer de koelkast in bedrijf is	De prestaties van de koelkast kunnen variëren afhankelijk van veranderingen in de omgevingstemperatuur. Dit is normaal en geen defect.	U hoeft niets te doen. Houd er rekening mee dat het normaal is dat de compressor bij heel warm weer en zeer hoge temperaturen in de ruimte lange tijd in werking blijft.

PROBLEMEN OPLOSSEN

STORING	MOGELIJKE OORZAAK	OPLOSSING
Trillingen of geluid	De vloer is mogelijk niet stabiel of waterpas.	Als de koelkast schudt als hij iets wordt verplaatst, stel dan de voeten af om het evenwicht te herstellen. Ga na of de vloer horizontaal is en het gewicht van de koelkast kan dragen.
	Voorwerpen die op de koelkast worden gezet, kunnen geluid veroorzaken.	Verwijder alle voorwerpen die zich op de koelkast bevinden.
Er komen geluiden uit de koelkast, zoals druppelende vloeistof of spatten	Bij de normale werking van de koelkast zijn er stromen van vloeistof en gas. Dit is normaal en geen defect.	U hoeft niets te doen.
De koelkast maakt een fluitend geluid	Er worden ventilatoren gebruikt om de koelkast te koelen. Dit is normaal en geen defect.	U hoeft niets te doen.
Er verzamelt zich vocht de binnenwanden van de koelkast	Warm en vochtig weer verhoogt ijsvorming en condensatie. Dit is normaal en geen defect.	U hoeft niets te doen.
	De deuren kunnen vaak geopend zijn geweest of lange tijd op een kier hebben gestaan.	Open de deuren niet vaak. Doe de deuren dicht, als ze open zijn.
	De deur is misschien op een kier achtergelaten.	Doe de deur helemaal dicht.
Er verzamelt zich vocht op de buitenkant van de koelkast of tussen de deuren	De omgevingslucht kan vochtig zijn. Dit is heel normaal in vochtig weer of klimaten.	De condensatie verdwijnt als de vochtigheidsgraad daalt.
	Als u het apparaat zelden gebruikt, kan er condensatie van buiten optreden in het gedeelte tussen de twee deuren van de koelkast. Dit is normaal. Deze condensatie verdwijnt bij veelvuldiger gebruik.	
Er is een onaangename geur in de koelkast	Het is mogelijk dat er geen regelmatige reiniging is uitgevoerd.	Reinig de binnenkant van de koelkast met een spons, lauw water of een oplossing van water en natriumbicarbonaat.
	Sommige houders of verpakkingsmaterialen kunnen de bron zijn van onaangename geuren.	Gebruik een andere houder of verpakkingsmateriaal van een ander merk.
	Voedsel kan in onafgesloten houders in de koelkast zijn geplaatst.	Bewaar voedsel in gesloten houders. Micro-organismen die uit onbedekte houders ontsnappen, kunnen onaangename geuren veroorzaken.
	Bepaald voedsel kan lange tijd in de koelkast zijn achtergebleven.	Haal verlopen of bedorven etenswaren uit de koelkast.
De deur gaat niet dicht	De deur kan niet sluiten vanwege voedselverpakkingen.	Verplaats de verpakkingen die de deur blokkeren.
	De koelkast staat mogelijk niet in een stabiele positie op de vloer.	Pas de voeten van de koelkast naar behoefte aan om ervoor te zorgen dat deze stabiel is.
	De vloer is mogelijk niet waterpas of stevig.	Ga na of de vloer horizontaal is en het gewicht van de koelkast kan dragen.

PROBLEMEN OPLOSSEN

STORING	MOGELIJKE OORZAAK	OPLOSSING
De deur gaat moeilijk open	Het apparaat is ontworpen om volledig hermetisch gesloten te worden. Als de deur gesloten is, kan een vacuüm ontstaan.	In dit geval moet u een aantal seconden wachten voordat de drukbalans juist is om de deur te kunnen openen.
Laden klemmen vast	Voedsel raakt mogelijk de bovenkant van de lade.	Herschik het voedsel in de lade.
Het apparaat koelt maar de verlichting en het display werken niet	Het apparaat kan onverhoeds in de Sabbathmodus zijn geplaatst.	Deactiveer de functie door de aanwijzingen van deze handleiding te volgen.

GARANTIE EN SERVICE



Bertazzoni zet zich in om de klanten te voorzien van een service van de hoogste kwaliteit. In het onwaarschijnlijke geval dat u product een fabricagedefect vertoont, vragen we u contact op te nemen met ons serviceteam:

<https://nl.bertazzoni.com/zorg-en-service>

You will be requested to provide product information, proof of purchase, a photo of the silver data label and a description of the issue. Please have this information ready.

FRÅN CHEFENS SKRIVBORD

Bäste ägare till en Bertazzoni-apparat,

Tack för att du har valt en av våra kvalitetsapparater till ditt hem.

Min familj har tillverkat spisar i Italien sedan 1882 och under vägen har vi skaffat oss ett grundmurat gott rykte för våra utmärkta tekniska produkter - något som fötts ur vår passion för god mat.

Våra produkter stoltserar idag med en exklusiv och typiskt italiensk design i absolut teknisk toppnivå. Vår mission är att tillverka hushållsapparater som fungerar perfekt och som skänker glädje åt den som använder dem.

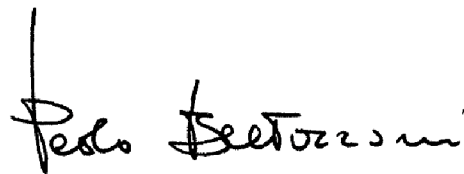
Vi svarar på våra kunders behov genom att tillverka produkter med mycket höga estetiska värden. Våra hushållsapparater är dessutom mångsidiga och lättanvända, så att laga mat med dem blir till ett rent nöje.

Denna handbok kommer att hjälpa dig att lära dig att ta hand om din Bertazzoniprodukt på allra bästa och säkraste vis, så att du kan få full tillfredsställelse då du använder den i många, många år.

Njut!

Paolo Bertazzoni

Verkställande Direktör

A handwritten signature in black ink that reads "Paolo Bertazzoni". The signature is written in a cursive, flowing style with a vertical line at the beginning.

ANVÄNDARHANDBOKENS GILTIGHET

Denna användarhandbok gäller för följande produktkoder:

- RLD60S5FPNS
- RLD75S5FPNS

INNEHÅLL

ALLMÄN INFORMATION	79
INFORMATION OM HANDBOKEN	79
SÄKERHETSINFORMATION	79
UNDVIK ATT UTSÄTTA BARN OCH SÅRBARA FÖR FARA	79
RISK FÖR ELEKTRISKA STÖTAR	80
RISK FÖR EXPLOSION	80
RISK FÖR PERSONSKADA	80
RISK FÖR KVÄVNING	80
RISK FÖR MATFÖRGIFTNING	80
BRANDRISK / VARNING OM ISOBUTAN	81
MILJÖSKYDD	81
ENERGIBESPARING	82
SPECIFIKATIONER	83
BESKRIVNING AV APPARATEN	83
TEKNISKA SPECIFIKATIONER	83
ANVÄNDAR- OCH UNDERHÅLLSHANDBOK	84
ANVÄNDNING	84
KOMMA IGÅNG	84
INTERN LAYOUT (POSITIONERING, JUSTERING OCH BORTTAGNING AV KOMPONENTER)	84
BYTE AV VATTENFILTRET	86
BELYSNING	87
MATFÖRVARING	87
DRIFT	89
RENGÖRING OCH VÅRD	91
FÖR ATT FÖREBYGGA OBEHAGLIG LUKT	91
ATT SKYDDA PLASTYTOR	91
RENGÖRING AV INRE YTOR	91
YTTRE YTOR AV ROSTFRITT STÅL	91
FELSÖKNING	92
FELSÖKNINGSGUIDE	93
GARANTI OCH SERVICE	95

ALLMÄN INFORMATION

INFORMATION OM HANDBOKEN

Dessa instruktioner är lämpliga för flera olika typer av apparater, så de kan innehålla beskrivningar av funktioner som kanske inte stöds av eller finns på din apparat.

Bilder och illustrationer i detta dokument refererar till olika modeller och kan variera en aning från den produkt du har köpt.

Tillverkaren ansvarar inte för personskador eller skador på egendom som beror på felaktig installation eller felaktig användning av apparaten.

Tillverkaren förbehåller sig rätten att modifiera de olika modellerna för att uppfylla gällande säkerhetsföreskrifter.

Vid eventuella reklamationer, var god kontakta Kundtjänst. Läs noga alla instruktioner i denna handbok innan du installerar och/eller använder apparaten. Detta kommer att hjälpa dig lära känna din nya apparat. Förvara detta dokument nära till hands så att du kan läsa den när så krävs, och se till att den medföljer till en eventuell ny ägare.

Läs säkerhetsmeddelandena i introduktionen till denna handbok, och observera speciellt säkerhetsanmärkningar såsom: "Observera", "Varning" och "Fara" som visas i texten.



FARA

Denna symbol visar på en situation som kan vara en fara för dig och för andra personer. Läs texten noggrant och se till att du har förstått exakt vad som kan utgöra orsak till eventuell fara eller olycka med dödlig utgång.



VARNING

Denna symbol visar säkerhetsinformation. Läs texten noggrant och se till att du noga har förstått orsakerna till potentiellt farliga olyckor.



OBSERVERA

Denna symbol visar på en procedur som kan äventyra apparatens stomme eller komponenter. Var speciellt försiktig med dessa procedurer.



ANMÄRKNING

Denna symbol markerar metoder eller procedurer för korrekt användning av apparaten.

Modell, säljkod och serienummer är tryckta på typskylten. Se avsnittet Specifikationer i denna handbok för placeringen av typskylten.



ANMÄRKNING

Du bör notera apparatens data och serienummer så att de omedelbart finns till hands om dessa uppgifter behövs.



ANMÄRKNING

Uppge informationen som anges på typskylten för att förbättra effektiviteten hos Kundtjänst och reservdelsavdelningen. För garantiändamål behöver du också installationsdatumet och namnet på din auktoriserade Bertazzoni-återförsäljare.



VARNING

När du använder din apparat ska du alltid följa vissa grundläggande försiktighetsåtgärder. Läs alla instruktioner innan apparaten används. Spara dessa instruktioner och överlämna dem till en eventuell framtida användare.

SÄKERHETSINFORMATION

Denna apparat är framtagen för hushållsbruk. Den får inte användas för några andra ändamål än de den är avsedd för. Den får endast användas för att förvara livsmedel.

Tillverkaren avsäger sig allt ansvar för skador som uppstår vid felaktig användning eller förflyttning.

Originalreservdelar finns tillgängliga under 10 år efter apparatens inköpsdatum.

UNDVIK ATT UTSÄTTA BARN OCH SÄRBARA FÖR FARA

- Denna apparat är inte avsedd att användas av individer (inkl. barn) med reducerad fysisk eller känslomässig förmåga eller bristande erfarenhet och kunskap, såvida de inte fått vägledning eller instruktioner om användningen av apparaten av en person som ansvarar för deras säkerhet.
- Barn bör hållas under uppsikt så att de inte leker med apparaten.
- Rengöring och underhåll får ej utföras av barn, såvida de inte övervakas av en vuxen.

ALLMÄN INFORMATION

RISK FÖR ELEKTRISKA STÖTAR

- Se till att apparaten är bortkopplad från elnätet under installation, underhåll, rengöring och reparationer.
- När apparaten installeras, se till att nätkabeln inte kommer i kläm eller skadas.
- Om apparatens nätkabel är skadad måste den bytas ut av tillverkaren, Kundtjänst eller en annan person med liknande kvalifikationer. Olämpliga installationer och reparationer kan utsätta användaren för stora risker.
- Använd inte en adapter. Använd inte en förlängningssladd.
- Anslut inte kylskåpet till ett löst vägguttag. Dra inte i kabeln för att koppla loss apparaten.
- Skilj apparaten från elnätet om du stöter på en felfunktion under användning. Om apparaten inte fungerar får den inte användas förrän den har reparerats av en auktoriserad serviceverkstad. Tillverkaren ansvarar inte för skador som uppstår på grund av procedurer som utförts av icke auktoriserade personer.
- Tvätta aldrig apparaten genom att hälla, skvätta eller spraya vatten på den. Vidrör aldrig stickkontakten med våta händer.
- Använd aldrig ånga eller ångtvätt för att rengöra eller avfrostas kylskåpet. Ånga kan orsaka kortslutning eller elektriska stötar om den kommer i kontakt med ditt kylskåps elektriska komponenter.
- Anslut aldrig ditt kylskåp till en energibesparingsanordning. Den typen av anordningar skadar din apparat.

RISK FÖR EXPLOSION

- Använd ingen typ av elektriska apparater inuti facken för matförvaring.
- Använd inte mekaniska anordningar eller andra anordningar för att påskynda avfrostningsprocessen, använd endast de som direkt rekommenderats av tillverkaren.
- Förvara ej explosiva ämnen, som tryckförsatt behållare med brandfarlig vätska i denna apparat.
- Flaskor som innehåller drycker med hög alkoholhalt måste förslutas ordentligt och förvaras lodrätt.

RISK FÖR PERSONSKADA

- Placera inte kolsyrade drycker eller vätskor i tenn- eller glasbehållare i frysavdelningen. De kan brista.
- Använd aldrig kylskåpets komponenter, som dörr eller lådor, som stöd eller för att stiga upp. Detta kan skada apparaten eller få den att välta.
- Sitt inte på apparaten och placera inga tunga föremål på apparaten.
- Sitt inte på och luta dig inte mot dörren eller öppna lådor. Utsätt inte dörren för tryck och använd den inte för att flytta apparaten.
- Överbelasta inte kylskåpet. Föremål som placerats i kylskåpet kan falla när dörren öppnas, och orsaka personskada eller skada på egendom.
- Placera inte händer eller andra kroppsdelar i kylskåpets rörliga delar (t.ex. automatisk ismaskin).

RISK FÖR KVÄVNING

- Förpackningsmaterial kan vara farliga för barn. Låt inte barn leka med plastpåsar, plastfilm eller polystyren.
- Om det finns ett lås på apparatens dörr ska nyckeln hållas utom räckhåll för barn.

RISK FÖR MATFÖRGIFTNING

- Förvara rått kött och fisk i kylskåpet i lämpliga behållare så att livsmedlen inte kommer i kontakt med eller droppar på andra livsmedel.
- Låt inte dörren stå öppen under långa tidsperioder, eftersom detta kan leda till att temperaturen i apparatens olika avdelningar stiger signifikant.
- Rengör regelbundet ytor som kan komma i kontakt med mat och åtkomliga dräneringssystem.
- Om kylskåpet inte ska användas under en längre tidsperiod: stäng av kylskåpet, avfrostas, rengör, torka torrt och låt dörren stå på glänt så att inte mögel bildas i apparaten.

ALLMÄN INFORMATION

BRANDRISK / VARNING OM ISOBUTAN



Om köldmedelskretsen i apparaten innehåller isobutan (R600a), en naturgas som är mycket miljövänlig, men den är ändå brandfarlig.

Under transport och installation av apparaten, var noga med att inte skada någon av komponenterna i köldmedelskretsen.

Om köldmedelskretsen skadas:

- Undvik öppen eld och antändande källor.
- Ventilera noggrant det rum där apparaten är placerad.



ANMÄRKNING

Om apparaten är skadad eller om du upptäcker en gasläcka, håll dig långt från gasen. Den kan förorsaka isbränna om den kommer i kontakt med huden.



ANMÄRKNING

Den typ av gas som används i apparaten är listad på märkplattan som sitter på den vänstra insidan av kylskåpet.



OBSERVERA

- Skada inte de områden där köldmedel flödar - var varsam med bormaskin och skärande verktyg. Om gasledningarna i evaporatorn, rörledningarna eller ytbehandlingsskikten skadas kan köldmedel blåsa ut, vilket skapar hudirritation och ögonskador. Använd inte spetsiga eller vassa redskap för att ta bort frost eller isskikt. Du kan skada kylrören. Läckande köldmedel kan orsaka ögonskador eller antändas.
- Försök aldrig att släcka en låga/brand med vatten: stäng av apparaten och täck över elden med en brandsäker filt.
- Täck inte över eller låt främmande föremål blockera ventilationsöppningarna på ditt kylskåp.

MILJÖSKYDD



Denna apparat överensstämmer med EU-direktiv 2011/65/EU (RoHS).

Denna apparat är märkt enligt EU-direktiv 2012/19/EU beträffande elektriskt och elektroniskt avfall (Waste Electrical and Electronic Equipment, WEEE).

Detta direktiv innehåller regler för insamling och återvinning av skrotade apparater över hela den europeiska unionens territorium.



Symbolen med en överkryssad soptunna finns på produkten och betyder att avfall från elektrisk och elektronisk utrustning (WEEE) inte får slängas med vanligt hushållsavfall, utan måste omhändertas separat så att den kan genomgå specialbehandling för att kunna återanvändas eller specifik behandling för säkert avlägsnande av alla miljöförorenande ämnen, och även återanvändning av råmaterial som kan återvinnas.

Därför måste WEEE (elektroniskt och elektriskt avfall) alltid levereras till Återvinningscentraler som hanteras av kommunen eller av Avfallshanteringsföretag. Dessutom, när en ny apparat inhandlas kan WEEE-apparaten återlämnas till återförsäljaren som är skyldig att ta tillbaka den gratis ("1:1" take-back). "Mycket små" WEEE (där inget mått överstiger 25 cm) kan återlämnas till försäljaren gratis även då inget inköp sker ("0:1" take-back, men denna skyldighet gäller endast för butiker med en försäljningsyta på över 400 m²).

Var särskilt uppmärksam på de korrekta procedurerna för kassering av allt förpackningsmaterial. Före kassering:

- Frånkoppla elnätet.
- Koppla loss apparaten och klipp av nätkabeln.
- Undvik att skada köldmedelskretsen under kassering.

Apparaten du har köpt följer EU RoHS-direktivet (2011/65/EU). Den innehåller inga material som enligt direktivet specificeras vara skadliga eller förbjudna. Denna apparat innehåller inga ämnen som är farliga för ozonskiktet i atmosfären, varken i kylkretsen eller i isoleringen.

Våra apparater är förpackade i miljövänliga och återvinningsbara material enligt nationella miljöbestämmelser:

- Kassera förpackningen på ett miljövänligt sätt.
- Be din återförsäljare att höra sig för hos de lokala myndigheterna om lämpliga kasseringsmetoder.

ALLMÄN INFORMATION

För EcoDesign-tester måste installationen och konfiguration av apparaten följa standarden EN 62552.

- Ventilationskrav, mått och minsta utrymme från den bakre väggen anges i Installationsmanualen.
- Kontakta tillverkaren för mer information.

ENERGIBESPARING

Korrekt användning av apparaten, korrekt förpackning av livsmedel, en konstant temperatur och mathygien påverkar alla förvaringens kvalitet.



ANMÄRKNING

Om två kylskåp installeras sida vid sida ska det finnas minst 4 cm (1 1/2 ") mellan dem.



VARNING

Att ansluta ditt kylskåp till en energibesparingsanordning är farligt, eftersom det kan skada din apparat allvarligt.

- Lämna inte dörrarna öppna under en längre tid.
- Ställ inte in varma livsmedel eller drycker i kylskåpet.
- Överlasta inte ditt kylskåp. Nedkylningskapaciteten faller då luftcirkulationen i kylskåpet förhindras.
- Placera inte kylskåpet i direkt solljus. Installera apparaten minst 30 cm (12") från värmekällor såsom spishällar, ugnar, värmeelement och spisar, och minst 5 cm (2") från elektriska ugnar. Om detta inte är möjligt måste lämplig isolering användas.
- Se till att du förvarar dina livsmedel i förseglade behållare i kylskåpet.
- Du kan avlägsna lådans hylla i frysavdelningen för att fylla frysavdelningen med maximal mängd livsmedel. Apparatsens energiförbrukningsvärde har bestämts med frysavdelningens hylla eller låda avlägsnad och med kylskåpet fyllt med maximal mängd livsmedel. Det går även bra att välja att använda hylla eller låda, beroende på form och storlek på den mat som ska frysas in.
- Att tina upp fryst mat i kylavdelningen sparar både på energi och bevarar matens kvalitet.
- Rengör kondensatorn (om den är åtkomlig) regelbundet för att förhindra att apparaten blir mindre effektiv.



ANMÄRKNING

Temperaturen i det rum där kylskåpet står ska vara minst 10 °C (50 °F). Att låta ditt kylskåp arbeta i kallare temperaturer rekommenderas inte, speciellt vad gäller effektivitet.



ANMÄRKNING

Insidan på ditt kylskåp måste hållas ren.

SPECIFIKATIONER

BESKRIVNING AV APPARATEN

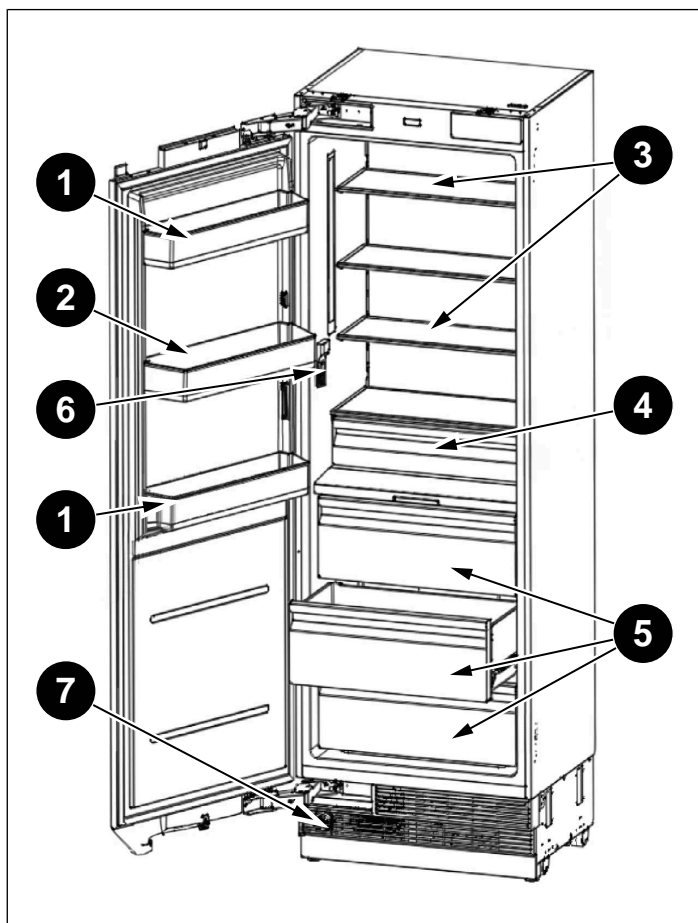


Fig. 1

- 1 Dörrfack
- 2 Gallon-dörrfack
- 3 Hyllor
- 4 Mjukstängande liten låda
- 5 Mjukstängande stora lådor ("Fresco"-avdelning)
- 6 Vattenautomat
- 7 Vattenfilter

ANMÄRKNING



Bilderna i denna handbok är bara en indikation, och kanske inte överensstämmer exakt med din apparat. Om din apparat inte har de delar som beskrivs betyder det att informationen hänvisar till en annan modell.

TEKNISKA SPECIFIKATIONER

ELEMENT	BESKRIVNING
Typ av kontakt	SCHUKO
Uttag	220 – 240 V
Skyddsledare	50 Hz
Säkring	15 A
Vattentryck (för apparater med ismaskin och/eller vattendispenser)	Min. 0,17 Mpa (1,7 bar, 25 psi) – Max. 0,55 Mpa (5,5 bar, 80 psi)

Köldmedel, volym och ytterligare tekniska specifikationer återfinns på typskylten.

ANVÄNDNING

KOMMA IGÅNG

Innan apparaten används, se till att alla förberedelser har utförts enligt instruktionerna i avsnittet **SÄKERHETSINFORMATION** i Installationsmanualen.

- Rengör insidan av kylskåpet enligt rekommendationerna i avsnittet **RENGÖRING OCH VÅRD**. Innan du sätter på kylskåpet, se till att insidan är helt torr.
- Koppla in kylskåpet till ett jordat strömuttag. Den invändiga belysningen tänds när kylskåpsdörren öppnas.
- Kör kylskåpet under 6 timmar innan du lägger in livsmedel, och öppna inte dess dörr såvida det inte är absolut nödvändigt.



ANMÄRKNING

Du kommer att höra lite oväsen då kompressorn startar. Vätskor och gaser som är förseglade i kylsystemet kan föra lite oväsen, även om kompressorn inte är påslagen. Detta är helt normalt.



ANMÄRKNING

De främre kanterna på kylskåpet kan kännas varma. Detta är normalt. Dessa områden är designade för att vara varma för att förhindra kondens.

Under drift kan du höra vissa helt normala ljud:

- Surrande: Kylskåpet arbetar. Fläkten i luftcirkulationssystemet arbetar.
- Bubblande, nynnande eller gurglande ljud: köldmedel flödar genom rören.
- Klickande: motorn sätts på eller stängs av. Magnetventil på vattenanslutningen öppnar/stänger.
- Mullrande: iskuber faller ned i islådan.

Apparaten drivs av två oberoende kompressorer. Det är därför normalt att en av de två kompressorerna alltid arbetar.

INTERN LAYOUT (POSITIONERING, JUSTERING OCH BORTTAGNING AV KOMPONENTER)

DÖRRFACK

För att avlägsna ett dörrfack: håll i dess botten, lyft och låt det glida ut. Se bilden.

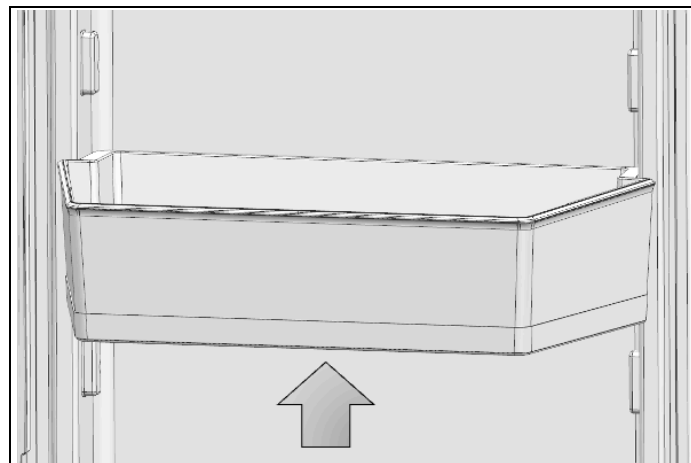


Fig. 2

För att justera höjden på ett dörrfack, tryck och håll inne knapparna till höger och vänster om dörrfacket för att justera det till önskad höjd utan att behöva avlägsna det. För att avlägsna det justerbara dörrfacket, tryck och håll inne knapparna, lyft facket helt och dra det mot dig. För att sätta tillbaka dörrfacket igen, placera det på sin plats på dörren och tryck in knapparna för att låta det glida ner på plats. Se bilden.

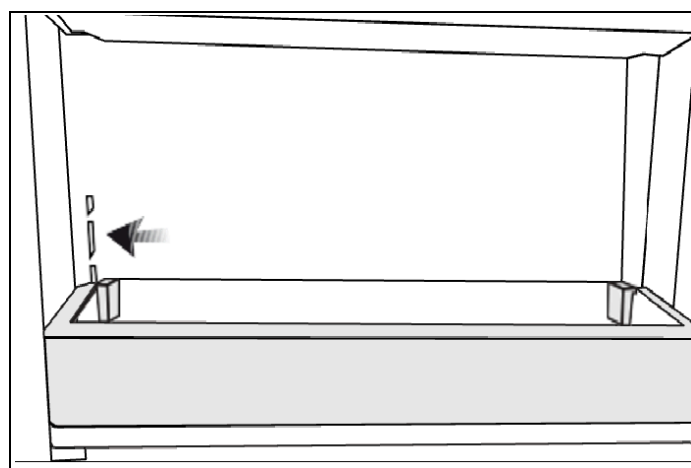


Fig. 3

ANVÄNDNING

GLASHYLLOR

Höjden på glashyllorna kan justeras manuellt med hjälp av de bakre hängarna. Håll i en hylla underifrån, lyft den främre delen till vinklad position - flikarna på hängarna kommer att lossna och glashyllan kan flyttas upp och ned.

För att avlägsna en hylla

- Håll i hyllans främre kant, lyft försiktigt upp och låt den glida ut.

För att sätta tillbaka hyllan

- Håll hyllan i vinkel så att fronten är högre än baksidan, och för sedan in den övre fästet i det spår som önskas.
- Sänk försiktigt ned fronten.



ANMÄRKNING

För att undvika att spräcka dem, eller att repa insidan på kylskåpet, ska du vara försiktig då du hanterar glashyllorna.

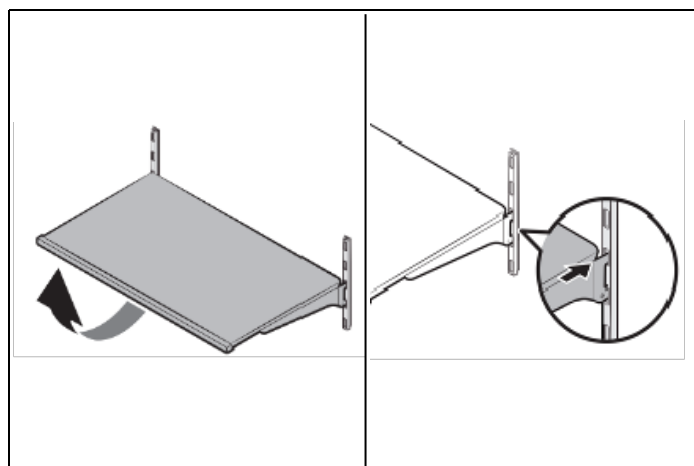


Fig. 4



VARNING

Glashyllor måste tas ut vid förflyttning.



VARNING

Du måste vänta tills glashyllorna nått rumstemperatur innan du lägger ned dem i vatten för rengöring.



VARNING

Dörren kan eventuellt inte stängas korrekt om dörrfacken är placerade på exakt samma höjd som glashyllorna. Efter att ha placerat glashyllorna, se till att dörren kan stängas korrekt.

LÅDOR

För att avlägsna en låda

- Dra ut lådan tills den stannar.
- Koppla försiktigt bort fronten på lådan och dra sedan ut den helt.

För att installera en låda

- Dra ut skenorna så långt de går.
- Rikta upp hålen i lådans hörn med komponenterna som är placerade i den bakre delen av skenorna.
- Tryck försiktigt ned lådan tills du känner att det klickar fast på skenornas front.

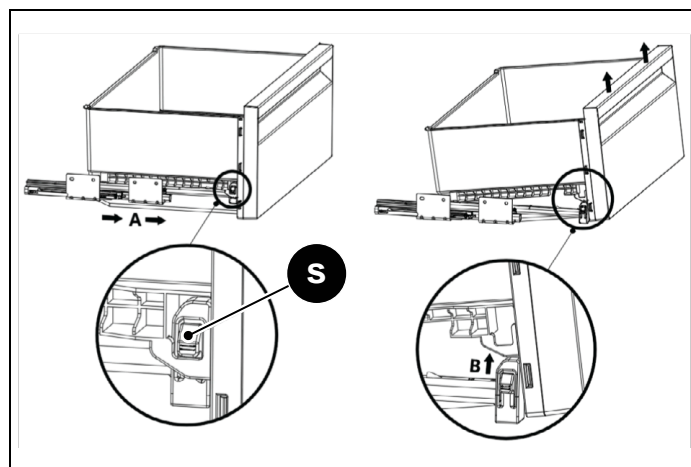


Fig. 5

- **S** – Säkerhetsflik



ANMÄRKNING

Se till att komponenterna på höger och vänster sida om skenorna är fast förankrade då du installerar lådan.



ANMÄRKNING

Lämna aldrig grönsaker i sina plastpåsar i lådan. Om de lämnas i sina plastpåsar kommer de att förstöras snabbare.

Lådorna bevarar fukten i dina grönsaker, och det gör att du kan förvara dem under en längre tid utan att ha dem i sina plastpåsar.

Om du inte vill att dina grönsaker ska komma i kontakt med varandra av hygieniska skäl kan du använda perforerat papper, skum eller andra liknande föremål istället för plastpåsar.

Då du placerar grönsaker i lådorna ska deras specifika vikt tas i beaktande. Tungta och hårda grönsaker ska läggas underst i lådan, och lätta eller mjuka grönsaker ska ligga ovanpå.

ANVÄNDNING

Päron, kiwi, tomater, gurka, aprikoser, persikor, broccoli, sallat, kål, persilja och spenat är frukt och grönsaker som avger etylengas. Placera dem inte i samma Frukt- och grönsakslåda som andra frukter och grönsaker. Etylengas som avges av dessa livsmedel kan göra att andra frukter och grönsaker mognar fortare och förstörs på kortare tid.

Avlägsna inte lådan från kylskåpet såvida du inte är absolut tvungen.

FRESCO-UTRYMME

Utrymmet är designat för att förvara livsmedel som fisk, kött och grönsaker, såväl som ost och charkuterier. Du kan styra temperaturen i detta utrymme för att bevara livsmedlen bättre



ANMÄRKNING

Att ta ut/sätta tillbaka Fresco-utrymmet går till på samma vis som för kylskåpets lådor.

JUSTERING AV GÅNGJÄRN

Då du justerar gångjärnets åtdragning kan du även justera åtdragningen på de övre och undre gångjärnen på avdelningen för färska livsmedel med hjälp av en elektrisk skruvdragare. Flytta gångjärnsjusteringskruven till "1" från position "0".

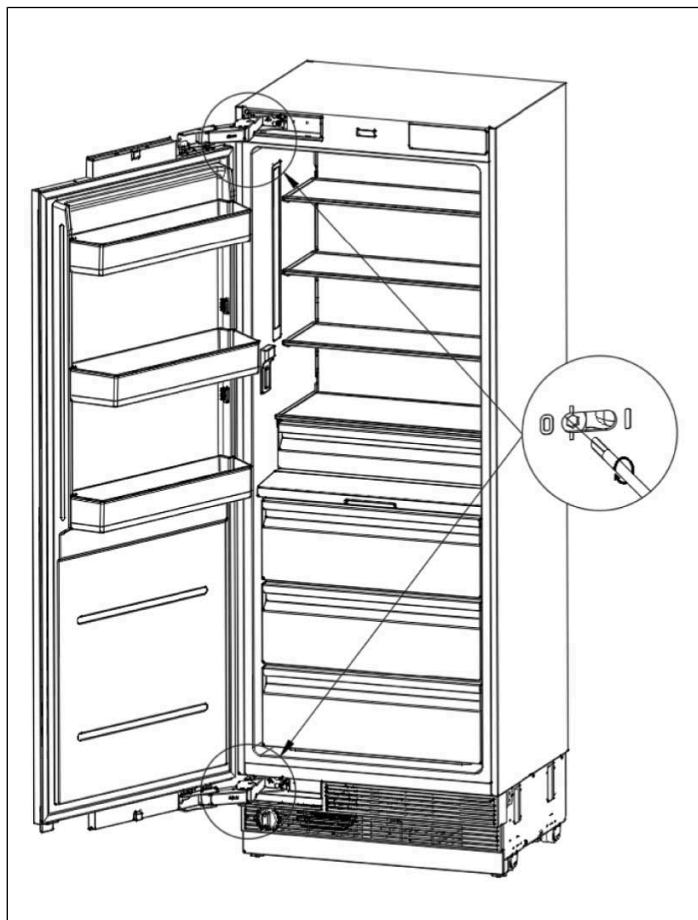


Fig. 6

BYTE AV VATTENFILTRET

Vattenfilterpatron

Vattenfilterpatronen sitter i botten av enheten.

Filterpatronen bör bytas ut var 130:e dag, annars minskar vattenflödet till dispensern eller ismaskinen.

Larmsymbolen för byte av vattenfilter tänds på kyl/frysdisplayen efter 130 dagars användning av varje installerat vattenfilter.

Byta vattenfilterpatronen

Vrid vattenfiltret moturs och avlägsna.

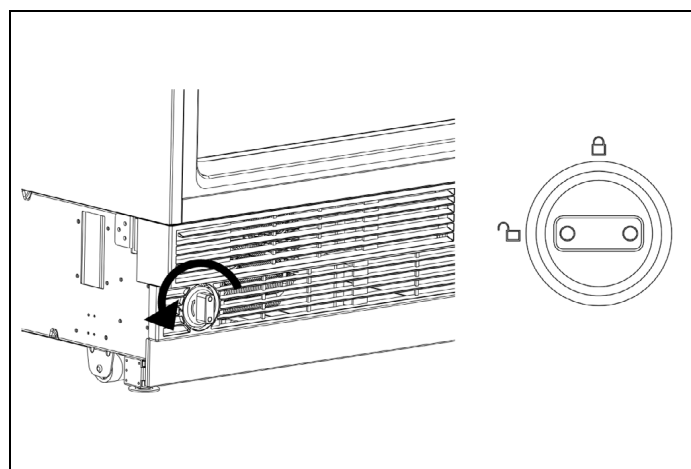


Fig. 7

För in vattenfiltret – med knapparna i fronten i en horisontell position så långt det går, och vrid medurs tills det snäpper fast.

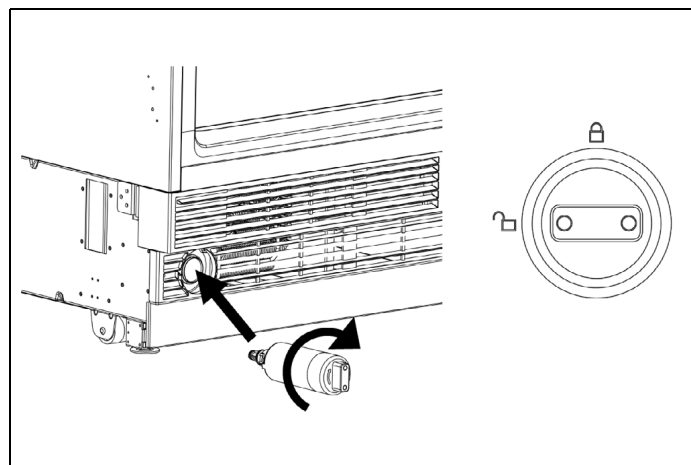


Fig. 8

ANVÄNDNING

Efter byte av vattenfilterpatronen

I kylskåpskolonnen, kör 8 liter (2 gallons) från vattendispensern för att avlägsna luft från systemet. En nyligen installerad filterpatron skvätter och droppar vatten tills luften har avlägsnats från systemet. I fryskolonner kanske ismaskinen inte genast producerar is. De första iskuberna kan vara oregelbundet formade. Kassera den första lådan full av is för att låta luft tömmas från systemet. En nyligen installerad filterpatron skvätter och droppar vatten i ismaskinen tills luften har avlägsnats från systemet.

När vattenfiltret har bytts ut, tryck på knappen SELECT (Välj) i 5 sekunder för att återställa larmet.



ANMÄRKNING

Det är normalt för det första vattnet och isen som kommer från dispensarna att verka missfärgade. Färgen återgår till den normala när alla ovanstående procedurer har genomförts.

BELYSNING

För att ge optimal inre belysning finns det LED-lister som belyser kylavdelningen ovanifrån och uppsättningar av LED-lampor som direkt belyser olika områden i kylavdelningen, kylådorna och fryslådan.

Vid funktionsfel och/eller förslitning hos belysningssystemet bör reparation utföras av en kvalificerad servicetekniker.

MATFÖRVARING

Din apparat är utrustad med två separata kylsystem, ett för avdelningen för färska livsmedel och ett för frysavdelningen.

På detta vis blandas inte luften och lukterna i avdelningen för färska livsmedel med luften i frysavdelningen.

Tack vare dessa två separata kylsystemen är även nedkylningshastigheten högre än för andra kylskåp. Dessutom får du ännu bättre energibesparing eftersom avfrostning sker separat.

Vi rekommenderar att du följer de instruktioner som ges nedan, som gör det möjligt för dig att använda din kyl/frys på ett säkert och effektivt sätt, så att dina livsmedel förvaras på bästa möjliga sätt så länge som möjligt.

Tänk på att Fresco-lådan är området där du förvarar de känsligaste färska livsmedlen, eftersom den håller en konstant medeltemperatur som ligger nära frysgränsen.

FÖRVARING AV FÄRSKA LIVSMEDEL

- Förvara livsmedel när de är färska och oskadda. Kvaliteten och fräschören bibehålls då längre.
- När du lägger in kött, fisk eller fågel i kylskåpet, låt dem vara kvar i originalförpackningarna, om dessa inte är sönder eller punkterade. Upprepad hantering kan överföra bakterier till dessa livsmedel.
- Förvara rått kött, fisk och fågel separat från andra livsmedel och undvik eventuella läckage eller droppande.
- Etikertera och datera förpackningarna.
- Låt varm mat och dryck kallna innan de läggs in i kylavdelningen.
- Var noggrann med att placera matvarorna korrekt på hyllorna, på ett sätt som inte blockerar ventilationsöppningarna inuti avdelningen.



ANMÄRKNING

Vad gäller bekvämlighetsprodukter och buteljerade varor, överskrid inte det använd före-datum som anges av tillverkaren.

RÅD FÖR FÖRVARING AV FRYSTA LIVSMEDEL

- Frysta livsmedel som du köper in måste förvaras i förhållanden och vid temperaturer som bestäms av tillverkaren av livsmedlen.
- För att se till att den höga kvalitet som uppnåtts av tillverkaren och matvaruleverantören bibehålls ska du noggrant följa anvisningarna nedan:
 - 1) Lägg paketen i frysen så fort du kan efter inköp.
 - 2) Se till att paketen är märkta med etiketter och datum.
 - 3) Kontrollera om paketets datum för "Används före" eller "Bäst före" har överskridits.

ANVÄNDNING

ATT PLACERA MATVARORNA

AVDELNING	MAT
Äggfack	Ägg
Kylavdelningens hyllor	Livsmedel i lådor, övertäckta tallrikar och stängda behållare
Dörrfack	Små och paketerade livsmedel och drycker (mjölk, juice, öl, etc.)
Frukt- och grönsakslåda	Frukt och grönsaker
Fresco-avdelning	Rått kött och fisk, delikatesser (ost, pålägg, etc.)

DRIFTSTEMPERATUR

FRYSSKÅP	KYLSKÅP	ANTECKNINGAR
-18 °C (0 °F)	4 °C (39 °F)	Detta är den rekommenderade normala inställningen.
-20 °C (-4 °F)	3 °C (37 °F)	Detta är rekommenderade inställningar då rumstemperaturen är över 30 °C (86 °F).
Super Freeze-snabbfrysning	4 °C (39 °F)	Använd dessa då du vill frysa in dina livsmedlen på kort tid. Din apparat återgår till sitt föregående läge då processen är klar.
-24 °C (-11 °F)	2 °C (35 °F)	Använd dessa inställningar om du tycker att din kylavdelning inte är kall nog på grund av varm omgivningstemperatur, eller för att du öppnat och stängt dörrarna ofta.
-18 °C (0 °F) eller kallare	Super Cool-snabbkylning	Använd denna funktion då du lägger in mycket livsmedel i kylavdelningen på en gång, eller då du behöver kyla ned din mat snabbt. Vi rekommenderar att du aktiverar Super Cool-snabbkylningsfunktionen 4-8 timmar innan du lägger in maten.

Rekommenderad driftstemperatur:

Kylskåp: 4 °C (39 °F), Frysskåp: -18 °C (0 °F), Fresco 2 °C (35 °F).

ANVÄNDNING

DRIFT

DISPLAYPANEL

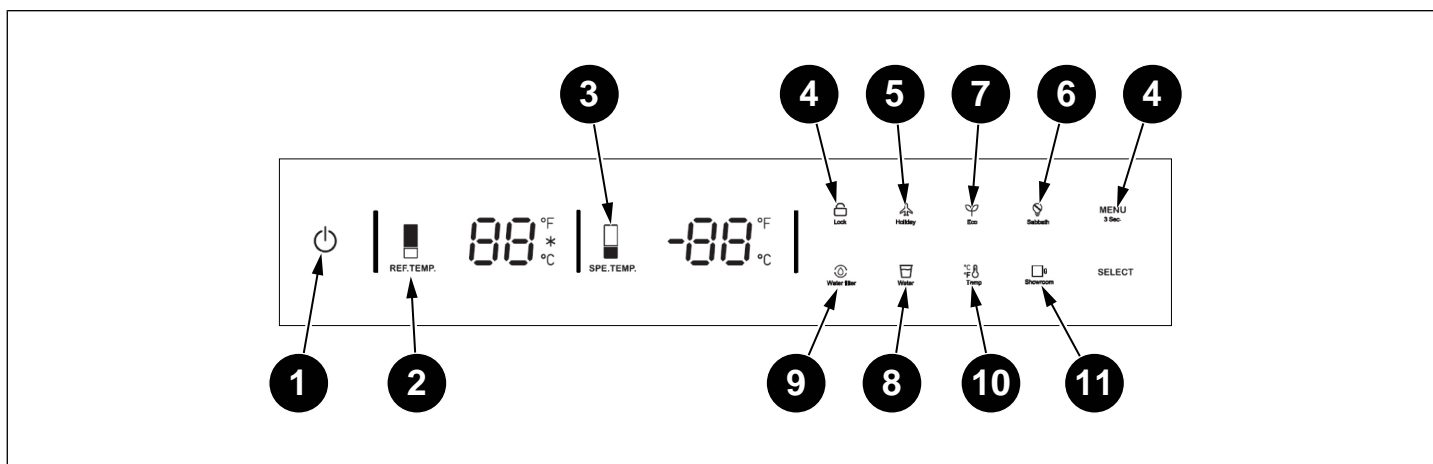


Fig. 9

- 1 PÅ/AV-knapp
- 2 Justeringsknapp för kylavdelningens temperaturinställning
- 3 Justeringsknapp för Fresco-avdelningens temperaturinställning
- 4 Knapp för val av funktioner och aktivering/inaktivering av barnlås
- 5 Semesterläge
- 6 Sabbatläge
- 7 Eko-läge
- 8 Vattendispenser (om tillämpligt)
- 9 Byte av vattenfilter (om tillämpligt)
- 10 Val av Celsius eller Fahrenheit
- 11 Utställningsläge



ANMÄRKNING

Bilderna i denna handbok är bara en indikation, och kanske inte överensstämmer exakt med din apparat. Om din apparat inte har de delar som beskrivs betyder det att informationen hänvisar till en annan modell.

PÅ/AV-KNAPP

Används för att slå på och stänga av apparaten. Tryck på knappen för att starta apparaten - den slår på efter 5 sekunder. Tryck och håll inne påslagningsknappen under 2 sekunder för att stänga av apparaten.

KNAPP FÖR VAL AV FUKTIONER OCH FÖR AKTIVERING/AVAKTIVERING AV BARNLÅS

Barnlåsfunktionen är till för att förhindra att barn ändrar apparatens inställningar. Tryck och håll inne MENU-knappen under 3 sekunder för att låsa/låsa upp kontrollpanelen.

Då låset är aktiverat lyser låssymbolen på displayen.

ANVÄNDNING

JUSTERINGSKNAPP FÖR KYLAVDELNINGENS TEMPERATURINSTÄLLNING

Tryck på knappen REF. TEMP. för att ställa in temperaturen inom ett område mellan 2 °C (35 °F) och 8 °C (46 °F). Bästa temperatur för avdelningen med färska livsmedel är 4 °C (39 °F).

Super Cool-snabbkylningsfunktion kan aktiveras genom att du fortsätter att trycka på knappen då du uppnått 2 °C (35 °F). "Snö"-symbolen visas då på displayen och funktionen är aktiverad. Kylskåpet kommer att arbeta vid 2 °C (35 °F) under 24 timmar. Efter detta kommer funktionen att automatiskt stängas av och kylavdelningen återgår till sin ursprungliga temperaturinställning.



ANMÄRKNING

Fabriksinställd temperaturinställning är 5 °C (41 °F) för kyldelen.

JUSTERINGSKNAPP FÖR FRESCO-UTRYMMETS TEMPERATURINSTÄLLNING

Tryck på knappen SPE. TEMP. för att ställa in Fresco-utrymmets temperatur inom ett område mellan -1 °C (30 °F) och 5 °C (41 °F).



ANMÄRKNING

Fabriksinställd temperaturinställning är 2 °C (35 °F) för Fresco-utrymmet.

SEMESTERLÄGE

Tryck på knappen MENU flera gånger tills symbolen för "vacation" (semester) tänds, tryck sedan på knappen SELECT (Välj) för att aktivera funktionen. När Semesterläget är aktiverat kommer kylens temperatur automatiskt att ställas in på 17 °C (62 °F). När Semesterläget är valt är systemet i drift hela tiden. För att stänga av Semesterläget, tryck på knappen MENU tills symbolen för "vacation" (semester) tänds, tryck sedan på SELECT (Välj).



ANMÄRKNING

Förvara inte livsmedel i avdelningen för färska livsmedel då Semesterläget är aktiverat.

SHABBAT MODE

Tryck på knappen MENU flera gånger tills symbolen för "Shabbat Mode" (Sabbatsläge) visas - tryck sedan på knappen SELECT (val) för att aktivera funktionen. Då Sabbatsläget är påslaget är alla lampor, ljudsignaler och kontrollpaneler avstängda. För att stänga av Sabbatsläget, tryck på knappen MENU tills symbolen för "Shabbat Mode" (Sabbatsläge) visas - tryck sedan på SELECT (val).

EKO-LÄGE

Tryck på knappen MENU flera gånger tills symbolen för "Eco Mode" (Eko-läge) tänds och tryck sedan på knappen SELECT (Välj) för att aktivera funktionen. När Eko-läget är aktiverat kommer kylens temperatur automatiskt att ställas in på 8 °C (46 °F). För att stänga av Eko-läget, tryck på knappen MENU tills symbolen för "Eco" tänds och tryck sedan på SELECT (Välj).

VATTENAUTOMAT (OM SÅDAN FINNS)

Tryck på knappen MENU flera gånger tills symbolen för vattenautomaten visas - tryck sedan på knappen SELECT (val) för att aktivera funktionen. Då vattenautomatfunktionen är aktiverad kan dricksvatten tappas från automaten som sitter på den inre väggen.

BYTE AV VATTENFILTER (OM SÅDANT FINNS)

Symbolen för vattenfilter blinkar och en ljudsignal markerar att användaren ska byta ut vattenfiltret. Efter utbyte av vattenfilter: tryck och håll inne SELECT-knappen under 5 sekunder för att nollställa. Inställd utbytetid är 180 dagar.

Kylskåpet är utrustat med en vattenplugg, utformad för att ersätta vattenfiltret när kylskåpet är anslutet till ett centraliserat vattenbehandlingssystem eller när filtret inte används.

Om ditt kylskåp är anslutet till ett sådant system, avlägsna filtret och installera vattenpluggen på dess plats inom filterkåpan.

Efter 180 dagars användning påminner ett larm på användargränssnittet om att återställa filtterräknaren, även när vattenpluggen används.

VAL AV CELSIUS ELLER FAHRENHEIT

För att växla mellan Celsius och Fahrenheit, tryck på MENU-knappen tills symbolen för Celsius eller Fahrenheit tänds. Tryck på SELECT-knappen för att bekräfta ditt val.

UTSTÄLLNINGSLÄGE

Tryck på knappen MENU flera gånger tills utställningssymbolen tänds och tryck sedan på knappen SELECT (Välj) för att aktivera funktionen.

Detta läge används när kylskåpet är på display i en affär eller om du vill stänga av kylningen och inaktivera alla andra funktioner utom den invändiga belysningen.



ANMÄRKNING

Förvara inga livsmedel i utställningsläge, eftersom apparaten då håller rumstemperatur.

RENGÖRING OCH VÅRD

Apparatens livslängd kommer att förlängas och många vanliga problem kan undvikas genom att regelbundet rengöra apparaten.



VARNING

Stäng av apparaten före rengöring.



VARNING

Vi rekommenderar att du rengör kondensorn var sjätte månad och då använder skyddshandskar. Använd inte dammsugare.

- Använd aldrig bensin, bensen eller liknande ämnen för att rengöra.
- Använd aldrig vassa eller slipande verktyg, tvål, allrengörare, rengöringsmedel eller vaxpolish för rengöring.
- Lös en tesked bikarbonat i en halv liter vatten. Doppa en trasa i lösningen och vrid ur den ordentligt. Torka noggrant insidan av kylskåpet med trasan och torka torrt efteråt.
- Se till att det inte kommer in vatten i lamphuset eller i andra elektriska delar.
- Om du inte ska använda kylskåpet under en längre tidsperiod ska du skilja den från strömförande nät, avlägsna alla livsmedel, rengöra det grundligt och lämna dörren på glänt.
- Kontrollera regelbundet att dörrens tätninglistor är rena. Om inte, rengör dem.
- Ta ut allting ur apparaten innan du avlägsnar dörren och de övre kylskåpshyllorna.
- Avlägsna dörrfacken genom att dra dem uppåt. Låt hyllorna glida nedåt för att åter föra in dem på sina platser efter rengöring.
- Använd aldrig vatten eller klorerade rengöringsmedel för att rengöra apparatens utsida eller kromade delar. Klor har en slipande effekt på metallytor av denna typ.

FÖR ATT FÖREBYGGA OBEHAGLIG LUKT

Material som kan förorsaka odörer och obehaglig lukt används inte vid tillverkning av våra kylskåp. Men dålig lukt kan dock uppstå från matvaror som förvaras fel eller om de inre ytorna av apparaten inte är rengjorda så som krävs.

Var god följ råden och tipsen nedan för att förhindra detta problem.

- Det är viktigt att kylskåpet hålls rent. Matrester, spill, etc. kan förorsaka obehaglig lukt. Därför ska du rengöra ditt kylskåp med en lösning av bikarbonat och vatten var 15: e dag. Använd aldrig rengöringsmedel eller tvål.
- Förvara dina livsmedel i förseglade behållare. Mikroorganismer som slipper ut ur icke-övertäckta behållare kan förorsaka obehaglig lukt.
- Förvara aldrig gammal mat eller mat som blivit dålig i kylskåpet.

ATT SKYDDA PLASTYTOR

Placera inte oförseglade behållare med oljor i flytande form eller maträtter som tillagats i olja i ditt kylskåp - de kan skada plastytorna i ditt kylskåp.

Om olja spills eller kladdas ned på plastytorna ska du genast göra rent och skölja noggrant med varmt vatten.

RENGÖRING AV INRE YTOR

För att rengöra de inre ytorna och alla löstagbara delar: tvätta dem med en mild tvållösning, vatten och natriumbikarbonat. Skölj och torka noggrant.

Låt inte vatten komma i kontakt med belysningsutrustningen eller kontrollpanelen.



VARNING

Använd inte ättika/vinäger, alkohol eller alkoholbaserat rengöringsmedel på de inre ytorna.

YTTRE YTOR AV ROSTFRITT STÅL

Använd ett icke-slipande rengöringsmedel för rostfritt stål - applicera det med en mjuk, luddfri trasa.

För polering: torka ytan försiktigt med en fuktig mikrofibertrasa och eftertorka med ett torrt sämskskinn.

Torka alltid längs stålets riktning.

FELSÖKNING

Om du observerar någon felfunktion hos din apparat, använd denna guide innan du kontaktar service. Denna guide kan hjälpa dig att på egen hand lösa de flesta problem som uppstår under daglig användning av enheten, eller den kan ge viktig information som du kan vidarebefordra till serviceteknikern för en snabb och effektiv reparation.

Din apparat har kanske inte alla funktioner som beskrivs här.



VARNING

Om du inte kan lösa problemet ens med hjälp av detta avsnitt, kontakta din återförsäljare eller en auktoriserad serviceverkstad. Försök aldrig att reparera en defekt apparat på egen hand.



ANMÄRKNING

Om enheten du köpt har använts som utställningsexemplar kan den vara i ett speciellt energibesparingsläge som kallas demoläge, där apparaten verkar vara i drift (belysning fungerar och falska temperaturer visas), men ingen kylning äger rum. Om du misstänker att din apparat är i demoläge, kontakta ditt inköpsställe för hjälp med att inaktivera denna funktion.

FELSÖKNING

FELSÖKNINGSGUIDE

FEL	MÖJLIG ORSAK	LÖSNING
Beep-signal ljuder	Dörren kan ha lämnats öppen för länge.	Stäng dörren för att förhindra att temperaturen stiger.
Kylskåpet fungerar inte	Enheten kanske inte är korrekt ansluten till eluttaget.	Anslut produkten korrekt.
	Säkringen till det eluttag du anslutit kylskåpet till eller huvudsäkringen kan ha löst ut.	Kontrollera säkringen.
	Det kan vara strömavbrott.	Återställ strömförsörjningen.
	Apparaten stängs av eller ställs i demo/utställningsläge.	Sätt på apparaten eller inaktivera demo/utställningsläget.
Det finns kondensat i kylavdelningen	Dörren kan ha öppnats/stängts för ofta.	Öppna/stäng inte kylskåpsdörren för ofta.
	Omgivningsmiljön kan vara för fuktig.	Installera inte kylskåpet på en plats med mycket hög luftfuktighet.
	Livsmedel som innehåller vätskor har placerats i kylskåpet utan lock.	Placera inte matvaror som innehåller vätskor i kylskåpet i oförslutna behållare.
	Kylskåpets dörr kan ha lämnats på glänt.	Lämna inte dörrarna till ditt kylskåp öppna under en längre tid.
Is- eller frostbildning i kylan, frysen eller Fresco-avdelningen	Dörren kan ha lämnats öppen under en lång tidsperiod eller den kanske inte stänger ordentligt.	Om dörrarna inte stänger helt, kontakta din installatör.
	Kylskåpet kanske inte är anslutet till strömförande nät.	Se till att stickkontakten passar i eluttaget.
Kompressorn fungerar inte	Temperaturinställningen kan vara felaktig.	Välj korrekt temperaturvärde.
	Möjligt strömavbrott.	Kompressorns skydd mot värmeöverbelastning kommer att stänga av kompressorn vid strömavbrott eller när apparatens kontakt tas ut ur eluttaget och sätts in igen - detta för att trycket hos köldmedlet i kylskåpets kylsystem ännu inte har balanserats. Kylskåpet kommer att börja arbeta normalt igen efter cirka 6 minuter när strömmen har återställts. Om kylan inte startar normal drift igen efter denna tid, kontakta din auktoriserade serviceverkstad.
	Kylskåpets prestanda kan variera baserat på förändringar i omgivningstemperaturen. Detta är normalt och inte en felfunktion.	Ingen åtgärd behövs. Tänk på att vid mycket varmt väder, och om temperaturen i rummet är mycket hög, är det normalt att kompressorn fortsätter att arbeta under längre tidsperioder.
Driftsljudet ökar när kylskåpet är i drift		
Vibration och missljud	Golvet är kanske inte helt stabilt eller jämnt.	Om kylskåpet börjar skaka när det flyttas något, justera stödbenen för att balansera apparaten. Se till att golvet är plant och klarar att bära kylskåpets vikt.
	Föremål placerade ovanpå kylskåpet kan orsaka missljud.	Avlägsna eventuella föremål som står på kylskåpet.

FELSÖKNING

FEL	MÖJLIG ORSAK	LÖSNING
Det kommer missljud från kylskåpet som låter som vatten som droppar eller sprejas	Normal kylskåpsdrift innebär flöden av vätskor och gaser. Detta är normalt och inte en felfunktion.	Ingen åtgärd behövs.
En vissling hörs från kylskåpet	Fläktar används för att kyla kylskåpet. Detta är normalt och inte en felfunktion.	Ingen åtgärd behövs.
Fukt ansamlas på kylskåpets inre väggar	Varmt och fuktigt väder ökar isbildning och kondensering. Detta är normalt och inte en felfunktion.	Ingen åtgärd behövs.
	Dörrarna kanske har öppnats för ofta eller lämnats på glänt för länge.	Öppna inte dörrarna för ofta. Stäng dörrarna om de är öppna.
	Kylskåpets dörr kan ha lämnats på glänt.	Stäng dörren helt.
Det finns fukt på de yttre ytorna av kylskåpet eller mellan dörrarna	Omgivningsluften kan vara fuktig. Det är helt normalt i fuktiga väder eller klimat.	
	Yttre kondens kan uppstå mellan kylskåpets två dörrar om du sällan använder apparaten. Detta är normalt. Denna kondens kommer att försvinna med mer frekvent användning.	Kondensatet försvinner när luftfuktighetsnivån minskar.
Det finns en obehaglig odör inuti kylskåpet	Regelbunden rengöring kanske inte har utförts.	Rengör insidan av kylskåpet med en svamp, ljummet vatten eller en lösning av vatten och natriumbikarbonat.
	Vissa behållare eller förpackningsmaterial kan orsaka dålig lukter.	Använd en annan behållare eller ett annat förpackningsmaterial från ett annat märke.
	Mat kan ha placerats inuti kylskåpet i oförslutna behållare.	Förvara mat i förslutna behållare. Mikroorganismer som slipper ut ur icke förslutna behållare kan orsaka obehagliga odörer.
	Vissa livsmedel kan lämnas i kylskåpet under långa tidsperioder.	Avlägsna all mat som blivit dålig i kylskåpet.
Dörren går inte att stänga	Livsmedelsförpackningar kanske hindrar dörren från att stängas.	Flytta eventuella förpackningar som blockerar dörren.
	Kylskåpet kanske inte står stabilt på golvet.	Justera kylskåpets stödben så att det står stadigt.
	Golvet är kanske inte helt stabilt eller jämnt.	Se till att golvet är plant och klarar att bära kylskåpets vikt.
Dörren är svår att öppna	Apparaten är utformad för att möjliggöra en helt hermetisk förslutning. När dörren är stängd kan ett vakuumtillstånd skapas.	I så fall är det nödvändigt att vänta några sekunder tills trycket har utjämnats innan dörren öppnas.
Lådor har fastnat	Livsmedel kan vara i kontakt med taket i lådan.	Flytta på maten i lådan.
Apparaten kyls ned, men belysningen och displayen fungerar inte	Apparaten kan oavsiktligt ha ställts i Sabbatläge.	Inaktivera funktionen enligt instruktionerna i denna handbok.



Bertazzoni är starkt engagerat i att leverera högsta kvalitet på service till sina kunder. I den mycket osannolika händelsen av att din apparat skulle ha ett fabriktionsfel, var vänlig kontakta vårt serviceteam på:

<https://SE.bertazzoni.com/more/care-service>

You will be requested to provide product information, proof of purchase, a photo of the silver data label and a description of the issue. Please have this information ready.



www.bertazzoni.com
Via Palazzina, 8
42016 Guastalla RE

© 2026 BERTAZZONI. All rights reserved.

112S01_v.03