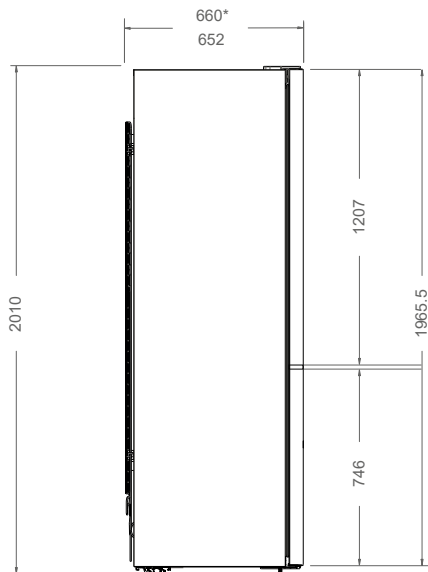
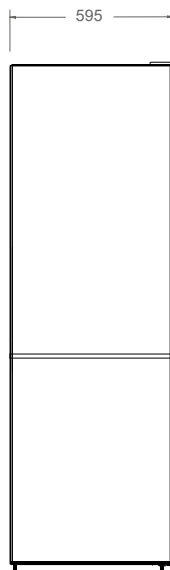


# PRODUCT DIMENSIONS

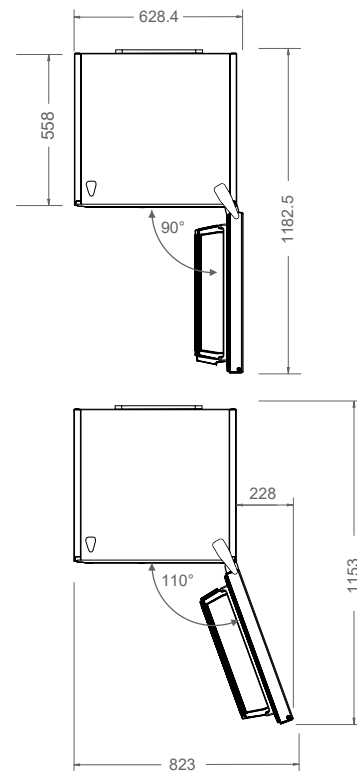
SIDE VIEW



FRONT VIEW



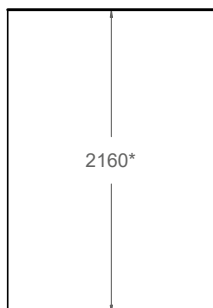
TOP VIEW



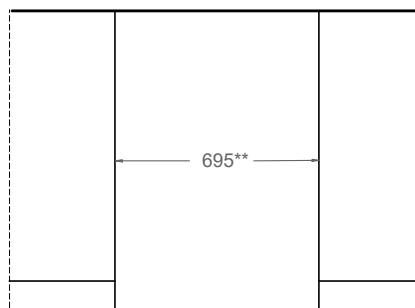
\* with condenser

## CUTOUT DIMENSIONS (Counter-depth Installation)

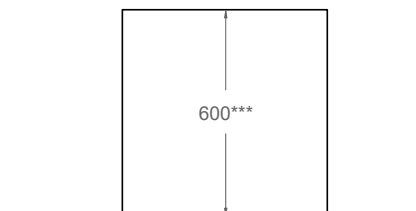
SIDE VIEW



FRONT VIEW



TOP VIEW



\* dimension with a minimum clearance of 150 mm on top

\*\* dimension with a minimum clearance of 50 mm on both sides

\*\*\* dimension with a minimum clearance of 15 mm on back