

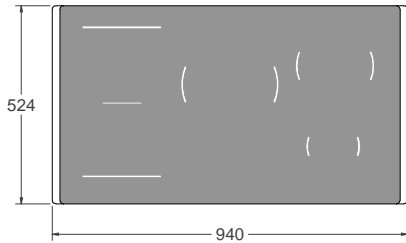
P905I1M30XP

90CM INDUCTION COOKTOP WITH STAINLESS STEEL FRAME
5 COOKING ZONES AND HIDDEN SLIDER WITH WHITE LED

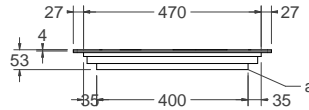


PRODUCT DIMENSION

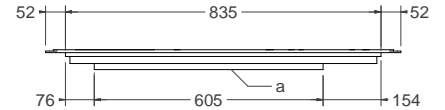
TOP VIEW



SIDE VIEW

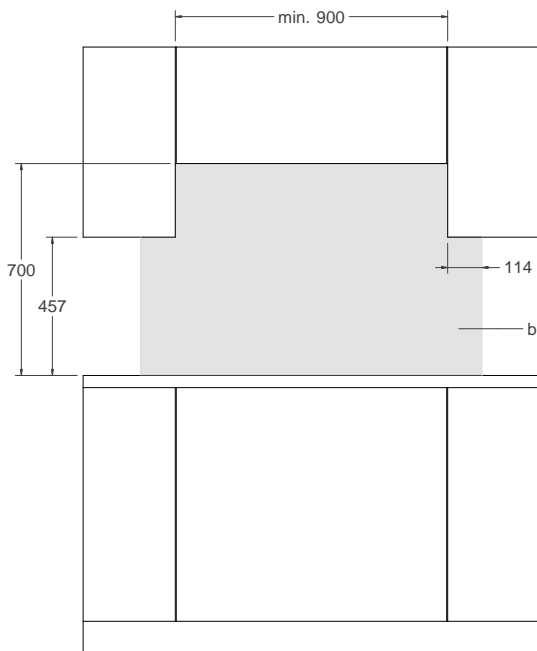


FRONT VIEW

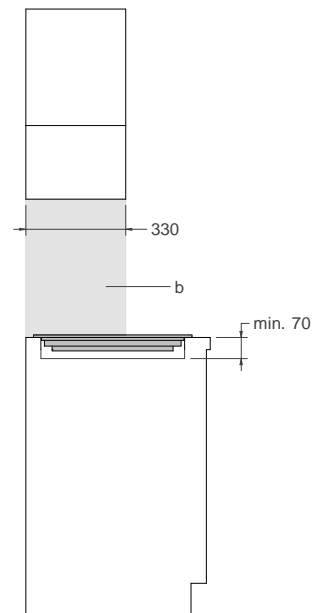


CUTOUT DIMENSIONS

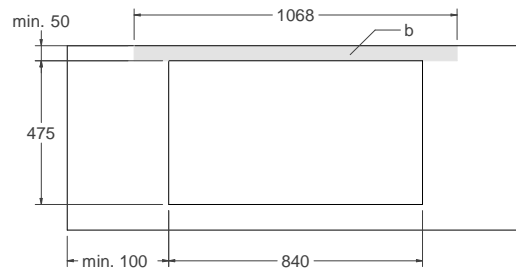
FRONT VIEW



SIDE VIEW



TOP VIEW



NOTE

- a. Electrical connection
- b. High-temperature resistant surface

Disclaimer: while every effort has been made to insure the accuracy of the information contained in this document, Fratelli Bertazzoni reserves the right to change any part of the information at any time without notice. For detailed installation specifications consult the installation manual. Fratelli Bertazzoni, Bertazzoni and the winged wheel brand icon are registered trademarks of Bertazzoni Spa