

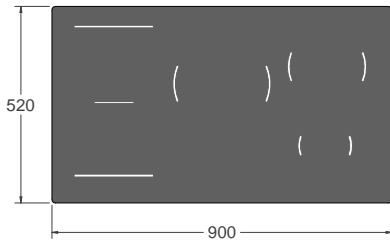
# P905I1M30NP

90CM INDUCTION COOKTOP - 5 COOKING ZONES AND HIDDEN  
SINGLE SLIDER WITH WHITE LED

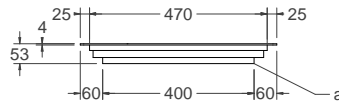


## PRODUCT DIMENSION

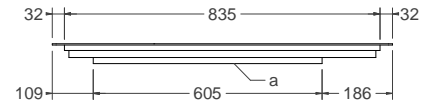
TOP VIEW



SIDE VIEW

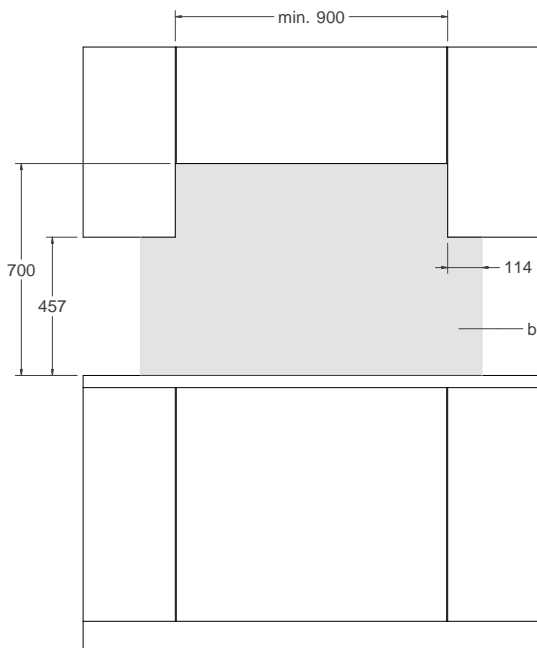


FRONT VIEW

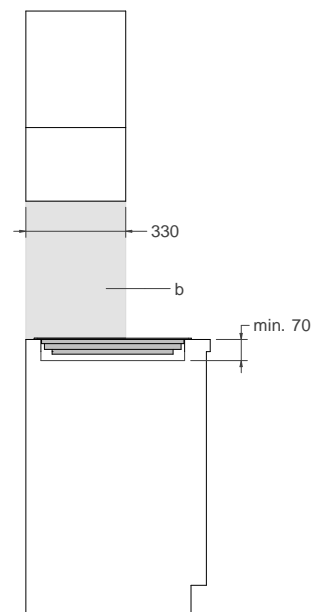


## CUTOUT DIMENSIONS

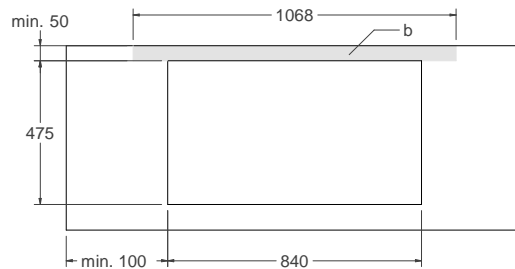
FRONT VIEW



SIDE VIEW



TOP VIEW



## NOTE

- a. Electrical connection
- b. High-temperature resistant surface

Disclaimer: while every effort has been made to insure the accuracy of the information contained in this document, Fratelli Bertazzoni reserves the right to change any part of the information at any time without notice. For detailed installation specifications consult the installation manual. Fratelli Bertazzoni, Bertazzoni and the winged wheel brand icon are registered trademarks of Bertazzoni Spa