

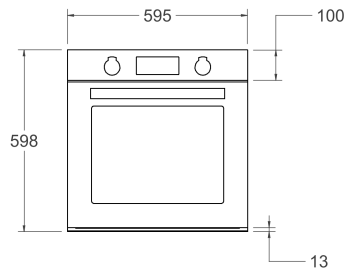
FMOD6093ESB1

60x60 CM MULTI9/MULTI11 ELECTRICAL VENTILATED OVEN BLACK GLASS

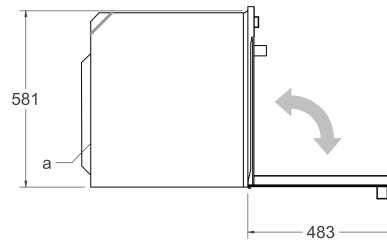


DIMENSIONS

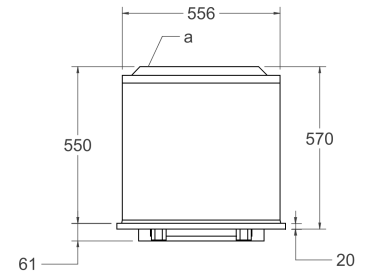
FRONT VIEW



SIDE VIEW

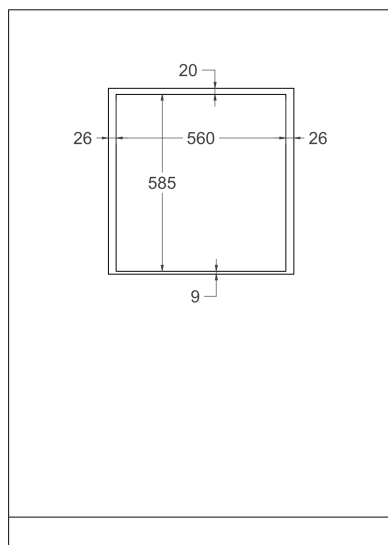


TOP VIEW

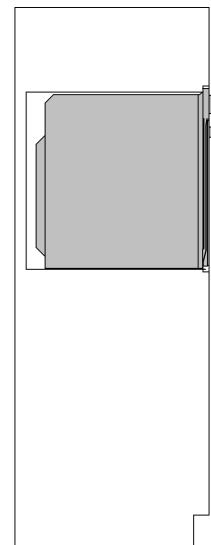


INSTALLATION

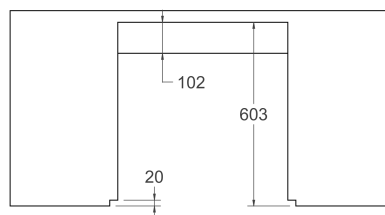
FRONT VIEW



SIDE VIEW



TOP VIEW



NOTE

Connessione Elettrica

Disclaimer: while every effort has been made to insure the accuracy of the information contained in this document, Fratelli Bertazzoni reserves the right to change any part of the information at any time without notice. For detailed installation specifications consult the installation manual. Fratelli Bertazzoni, Bertazzoni and the winged wheel brand icon are registered trademarks of Bertazzoni Spa.