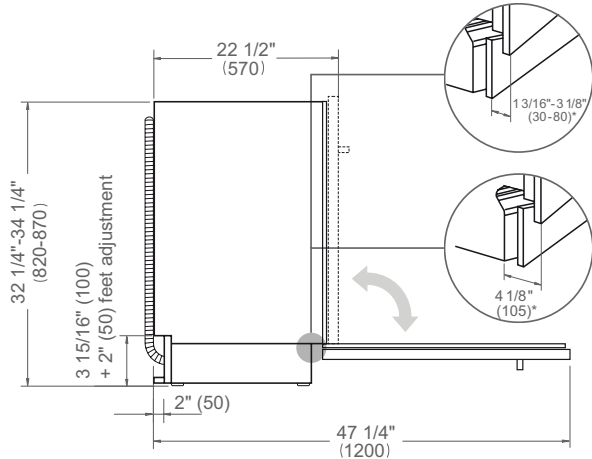


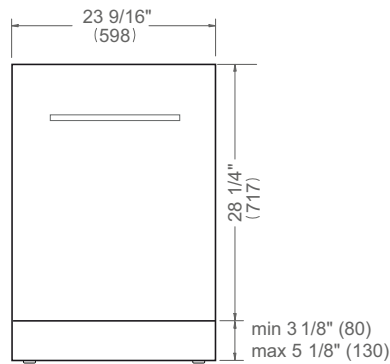
PRODUCT DIMENSIONS

SIDE VIEW

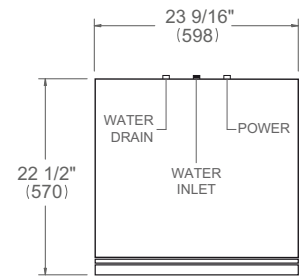


* including the door

FRONT VIEW



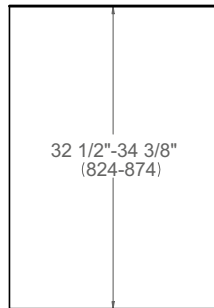
TOP VIEW



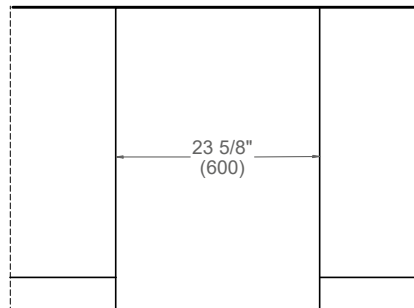
Water inlet hose is provided with the unit.

CUTOUT DIMENSIONS

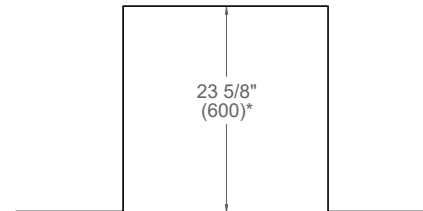
SIDE VIEW



FRONT VIEW



TOP VIEW

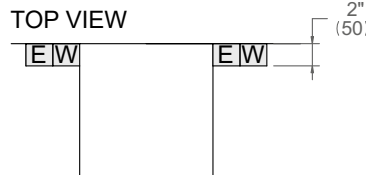


* For a flush installation, a minimum inset depth of 22 1/2" (570) is required.

ELECTRICAL & WATER CONNECTION

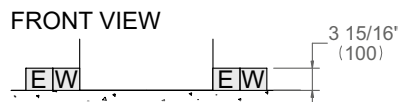
E

A properly-grounded, horizontally-mounted electrical receptacle should be installed according to this drawing.



W

Connect the water inlet hose provided with the unit directly to the water inlet tap.



Connections placement must be located on either side of the cutout.

Dimensions in parentheses are millimeters unless otherwise specified.

INSTALLATION REQUIREMENTS

Follow local codes & ordinances for drain requirements. Connect the water drain hose (not supplied) directly to the water drain hole or to the sink. Drain hose should be maximum 157 1/2" (4000) long. Drain hose must be connected at minimum 20" (500) - maximum of 43 5/16" (1100) from the floor.